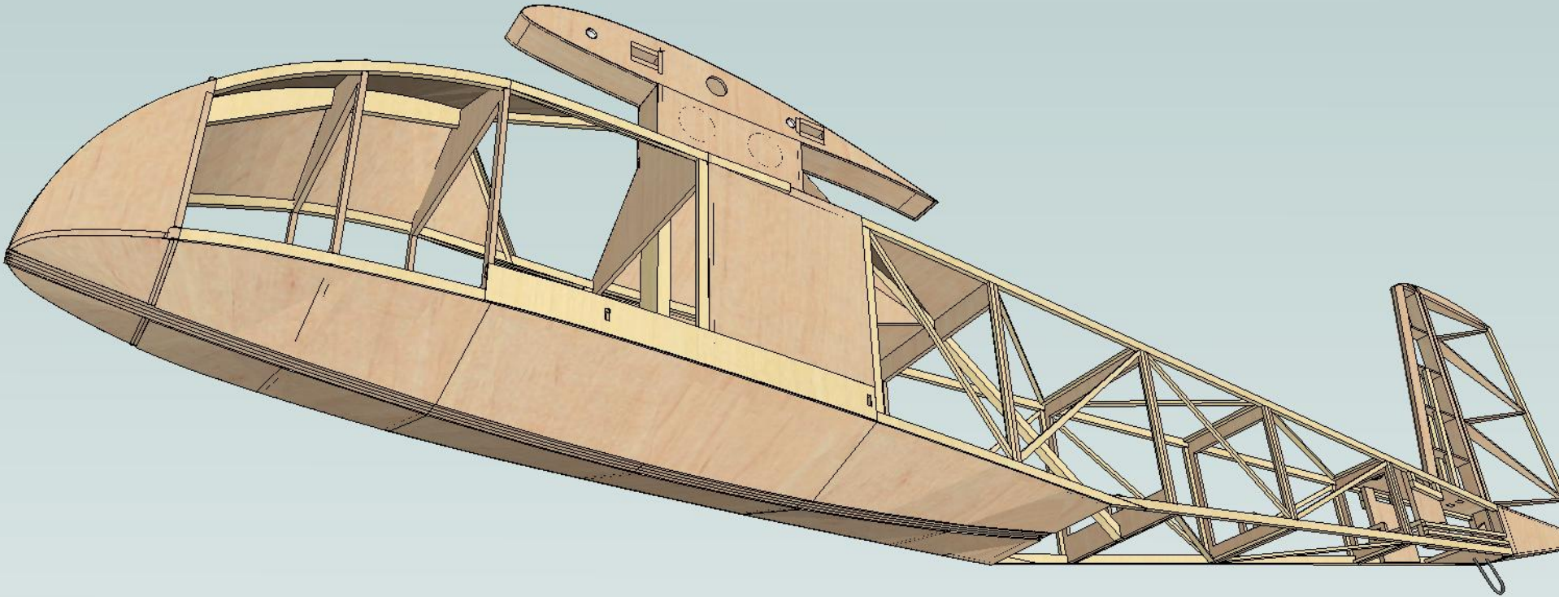
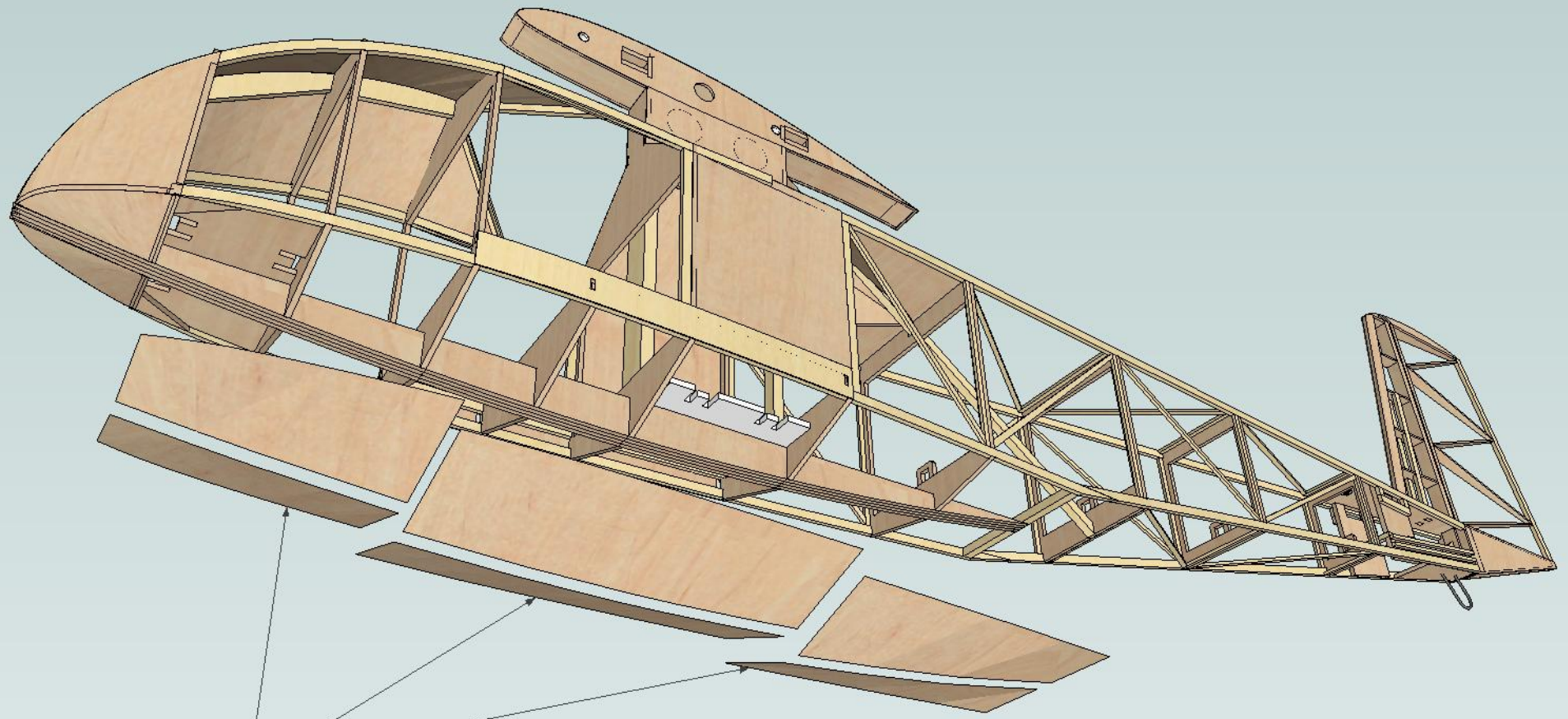
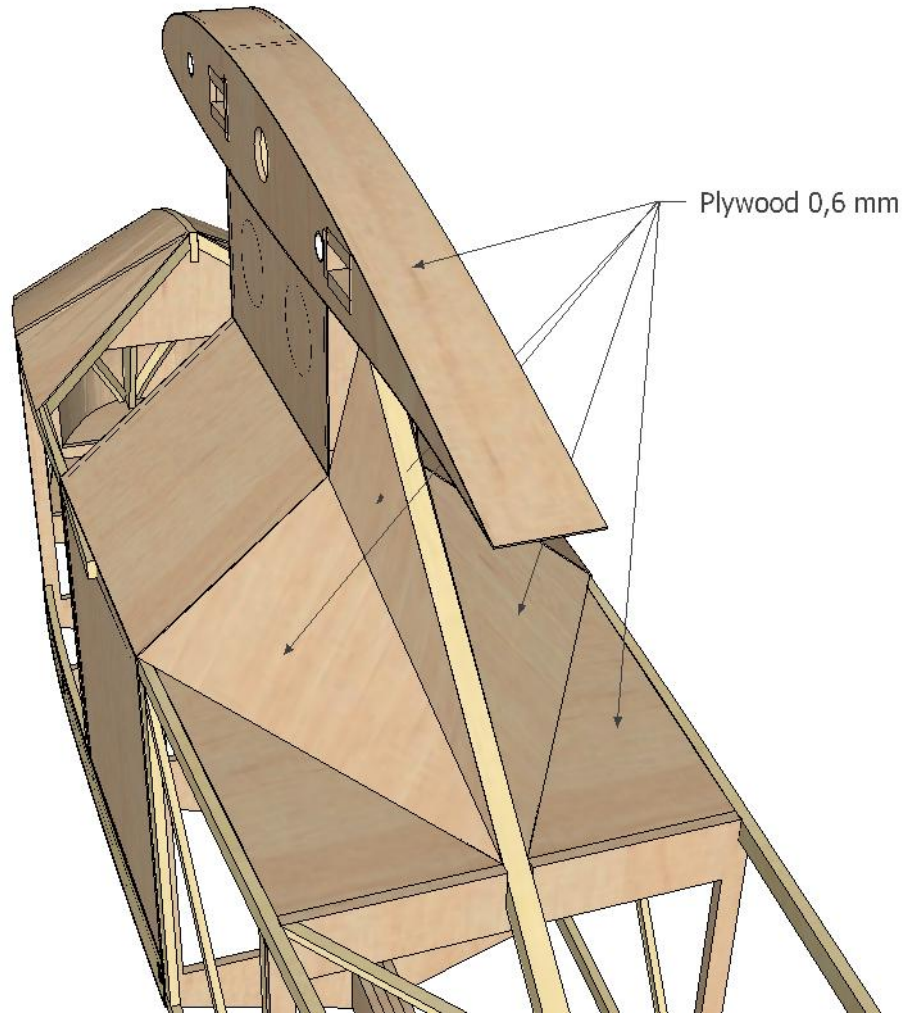


stainless steel slide bar

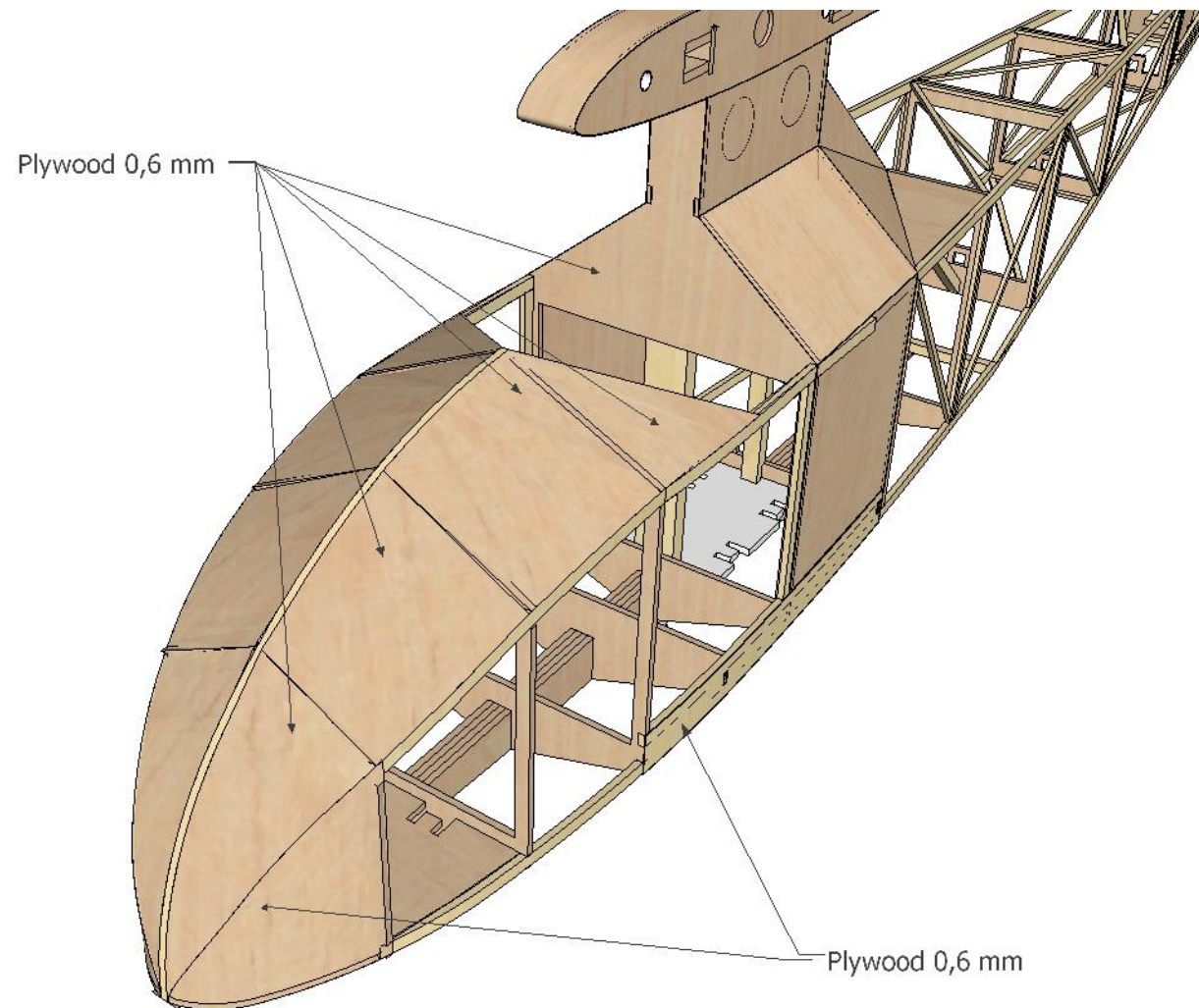




Plywood 0,6 mm

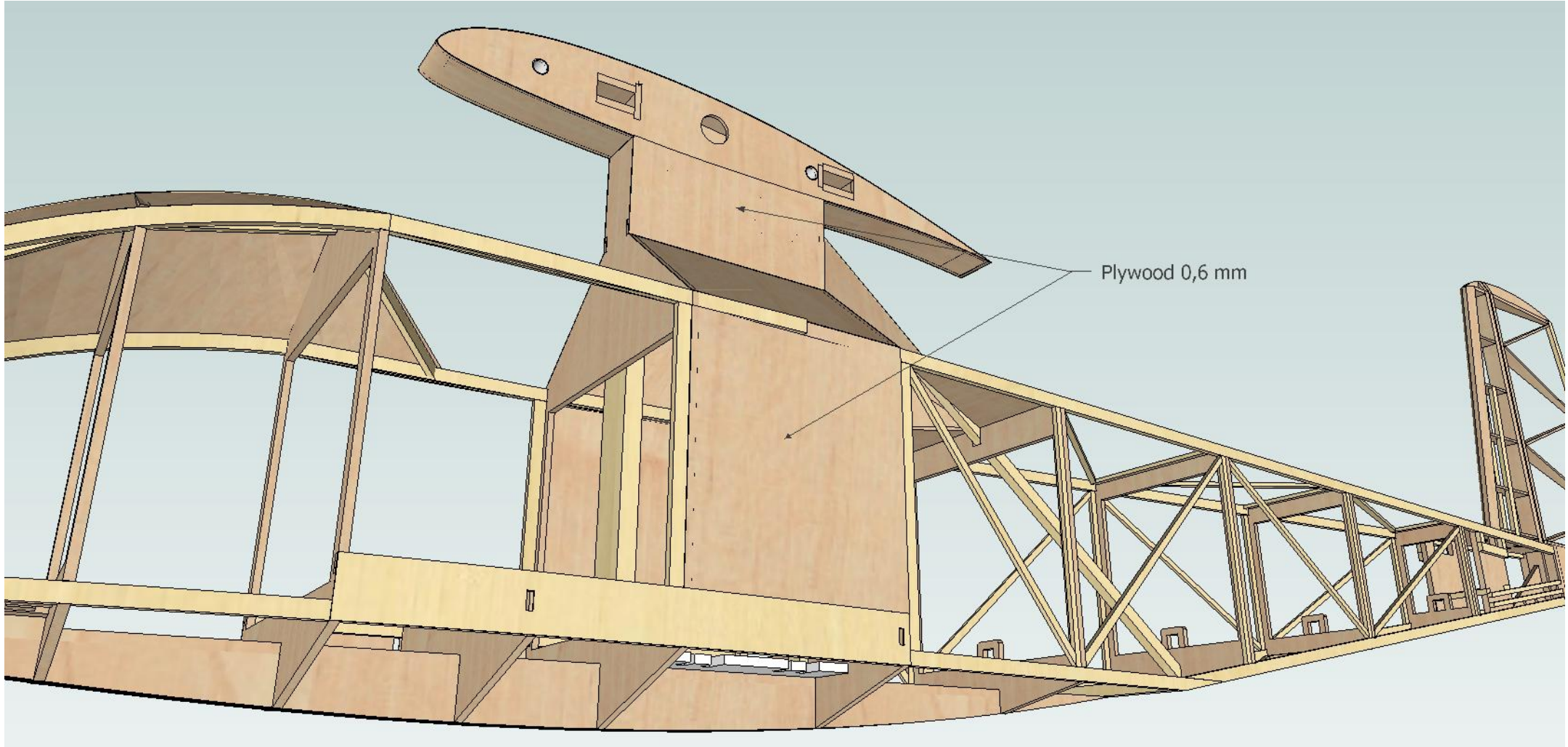


Plywood 0,6 mm

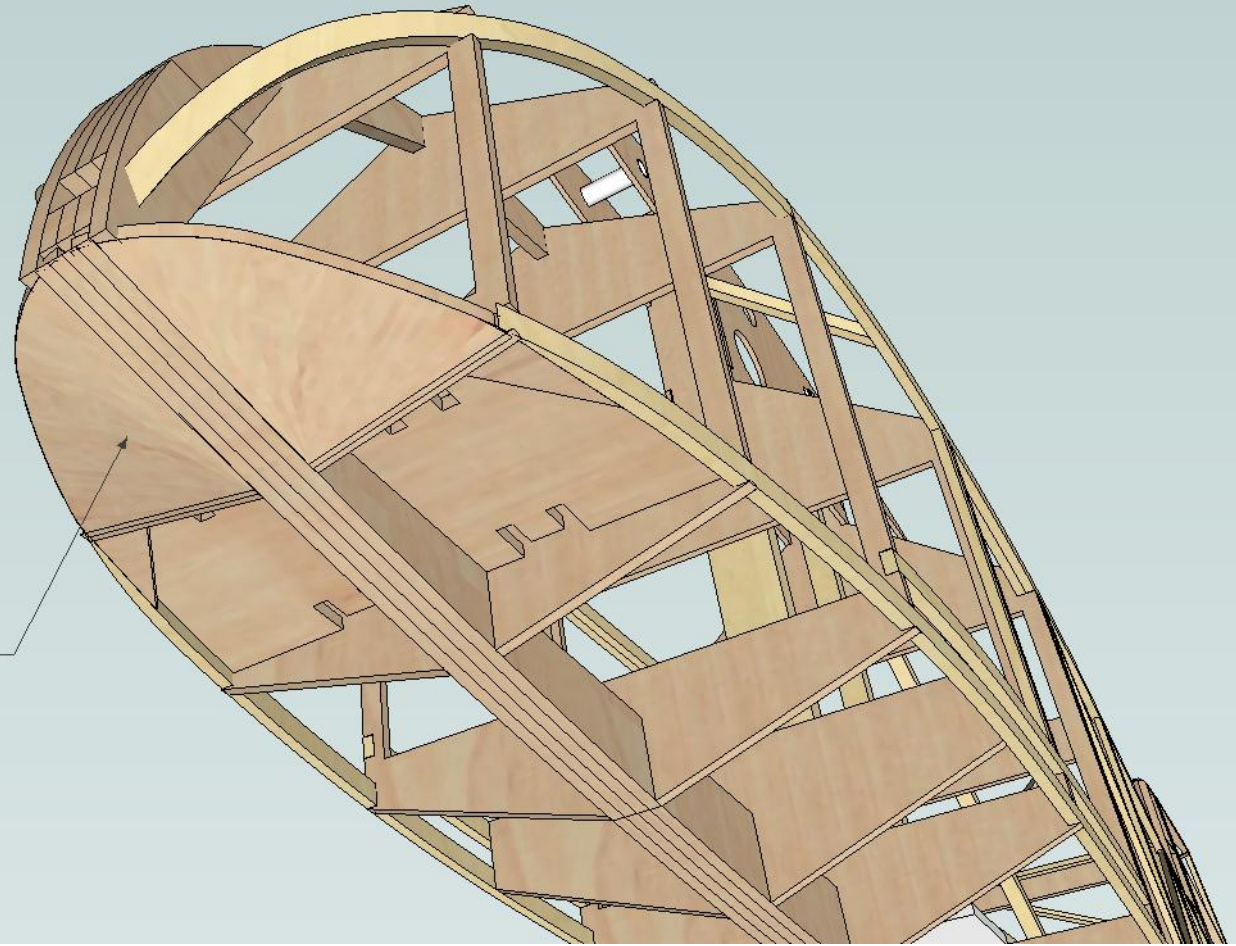


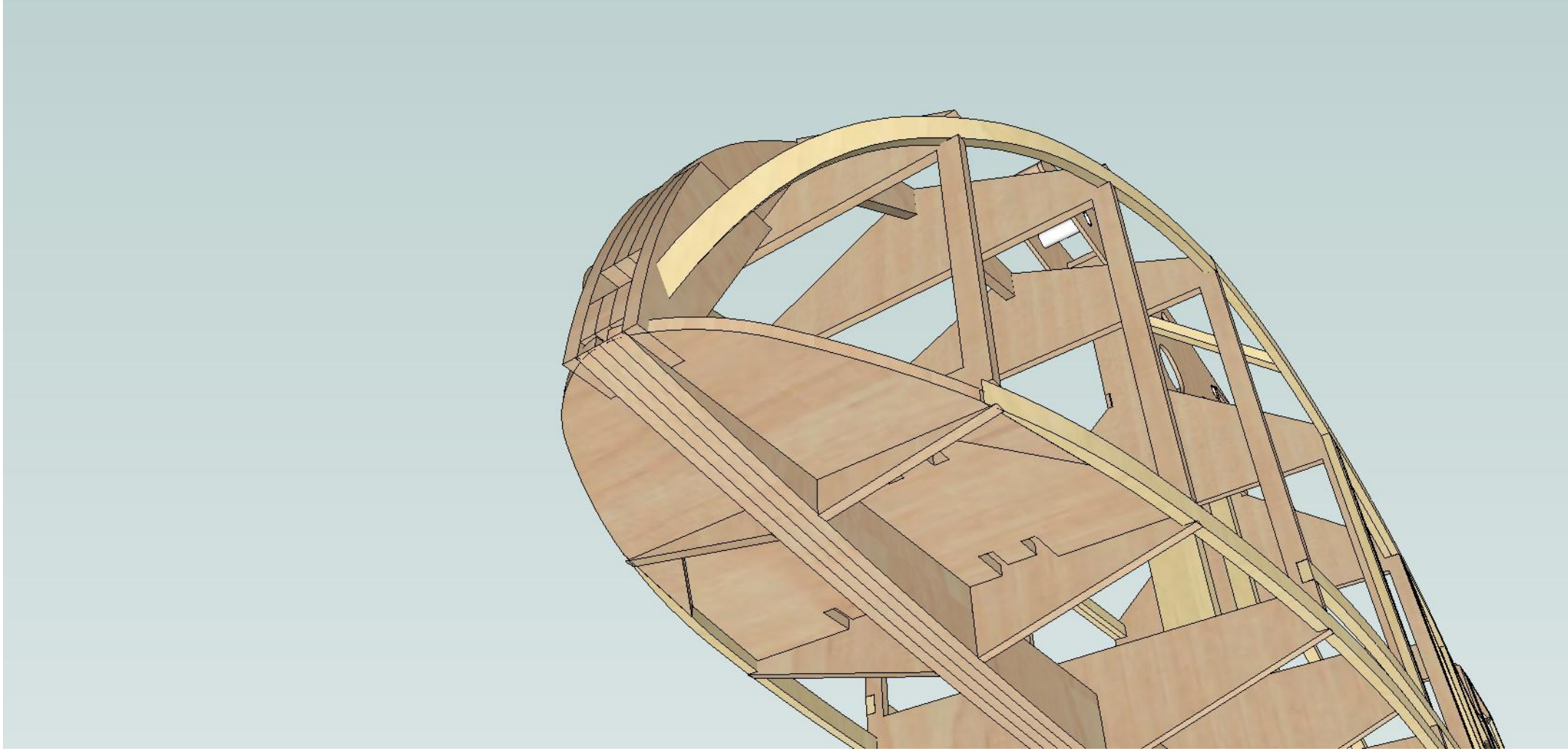
Plywood 0,6 mm

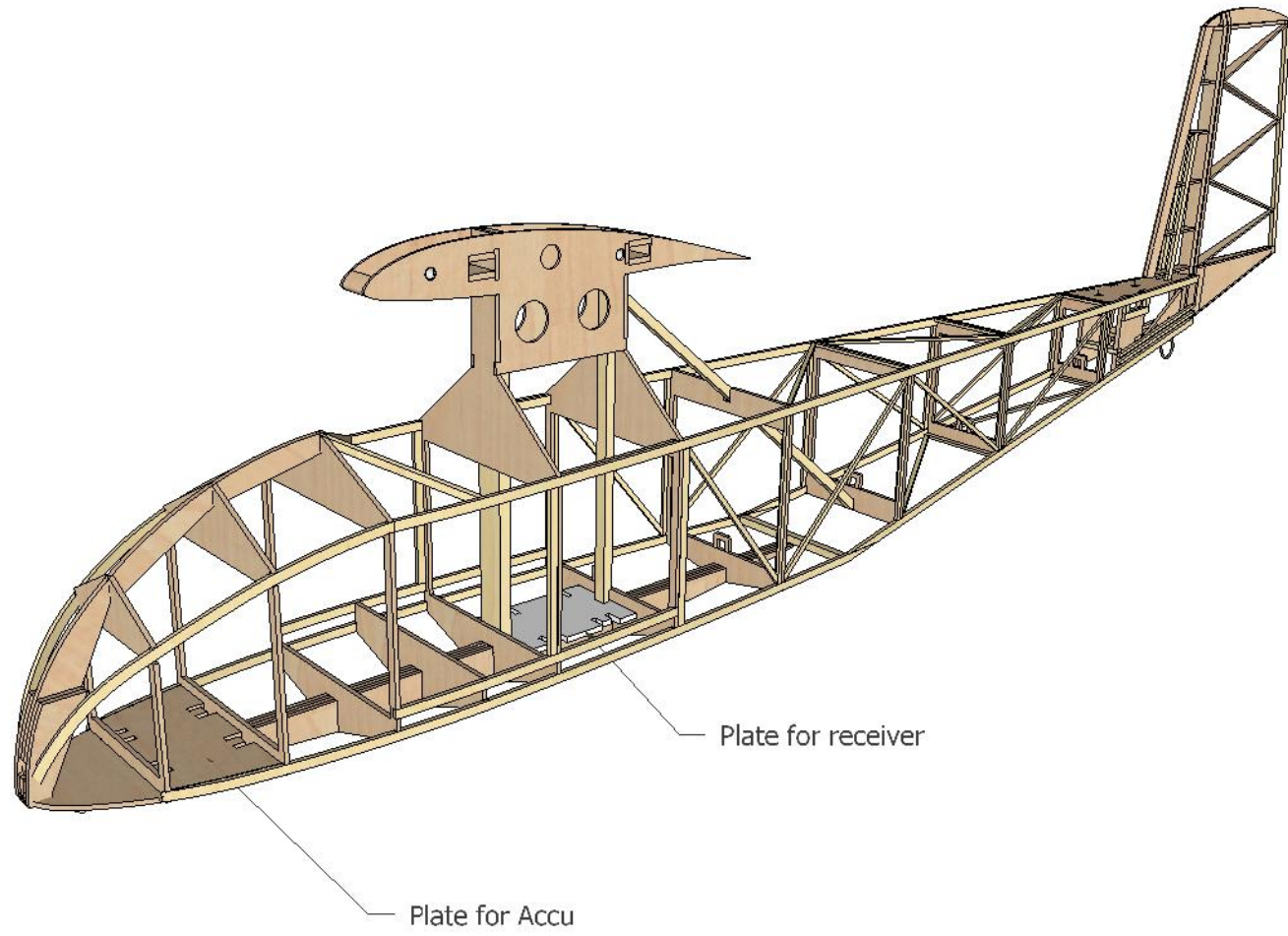
Plywood 0,6 mm

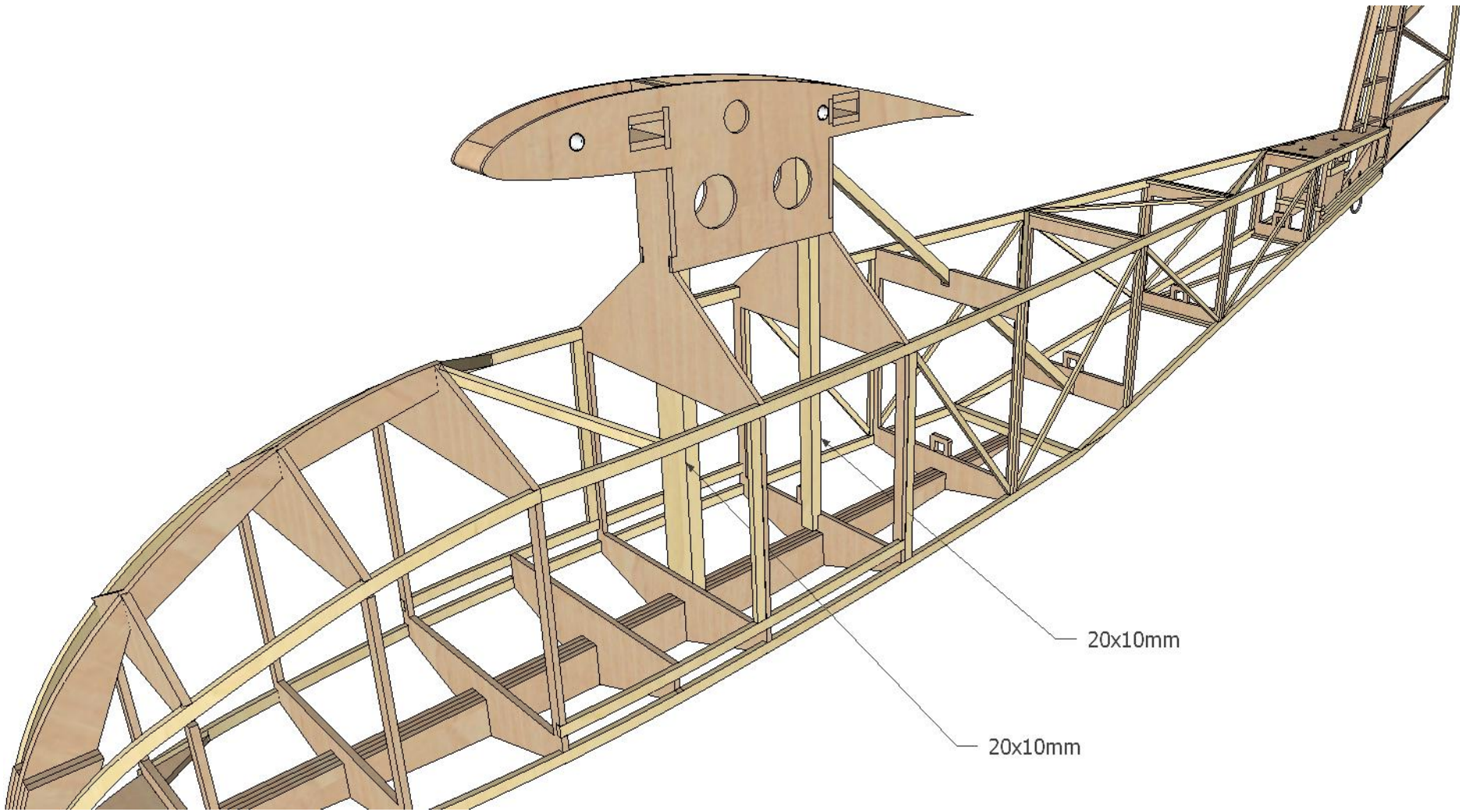


filled using hard
plywood



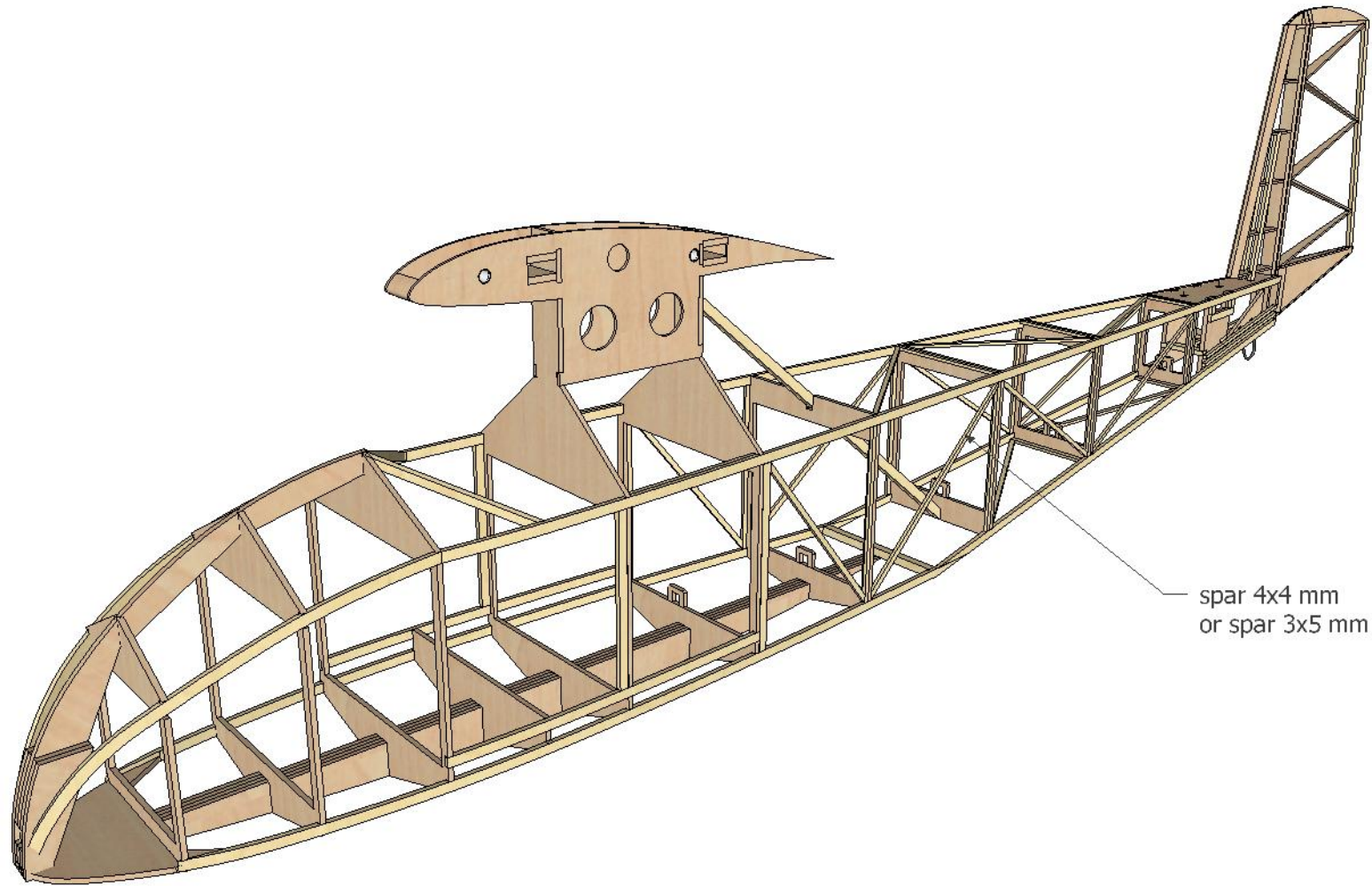




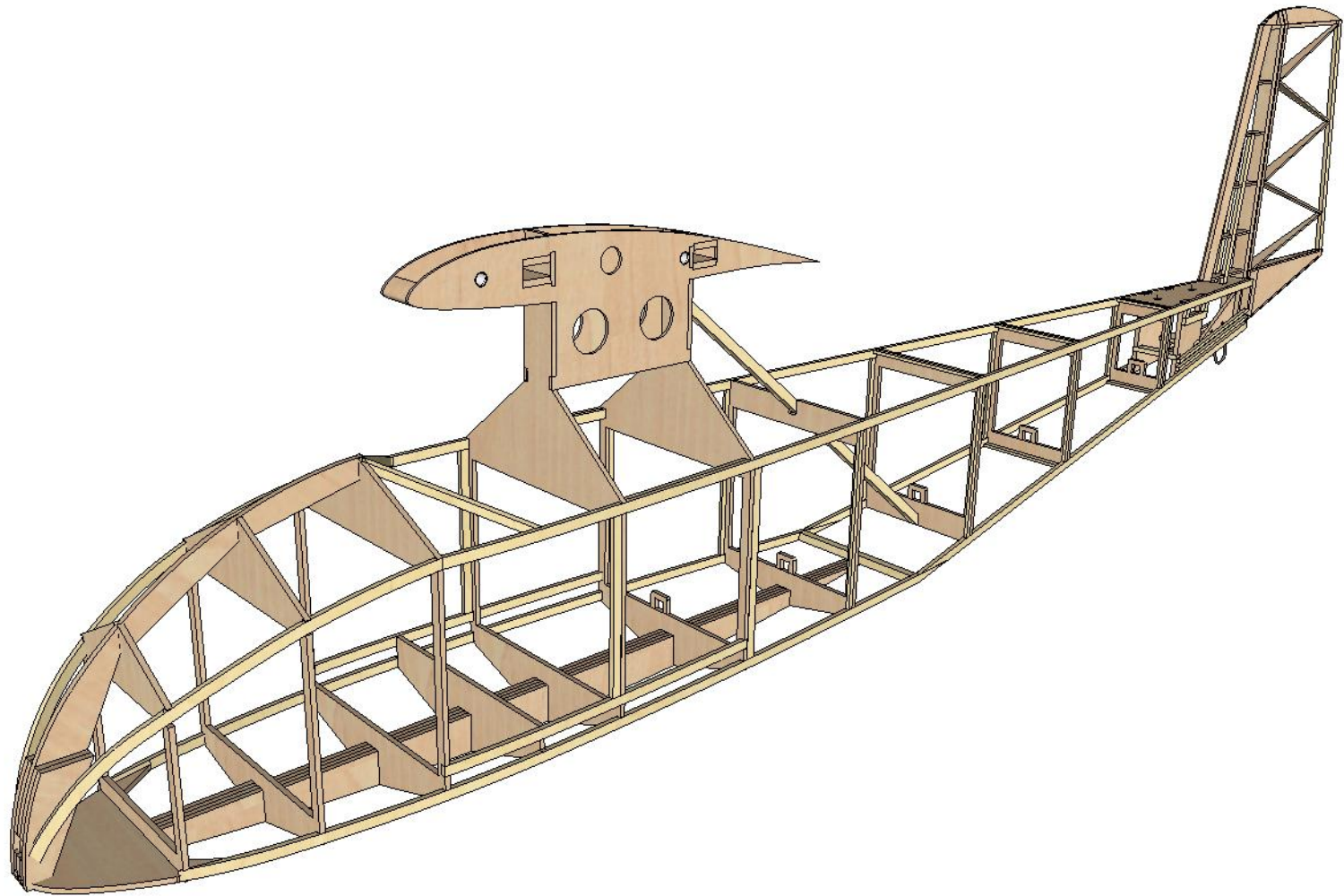


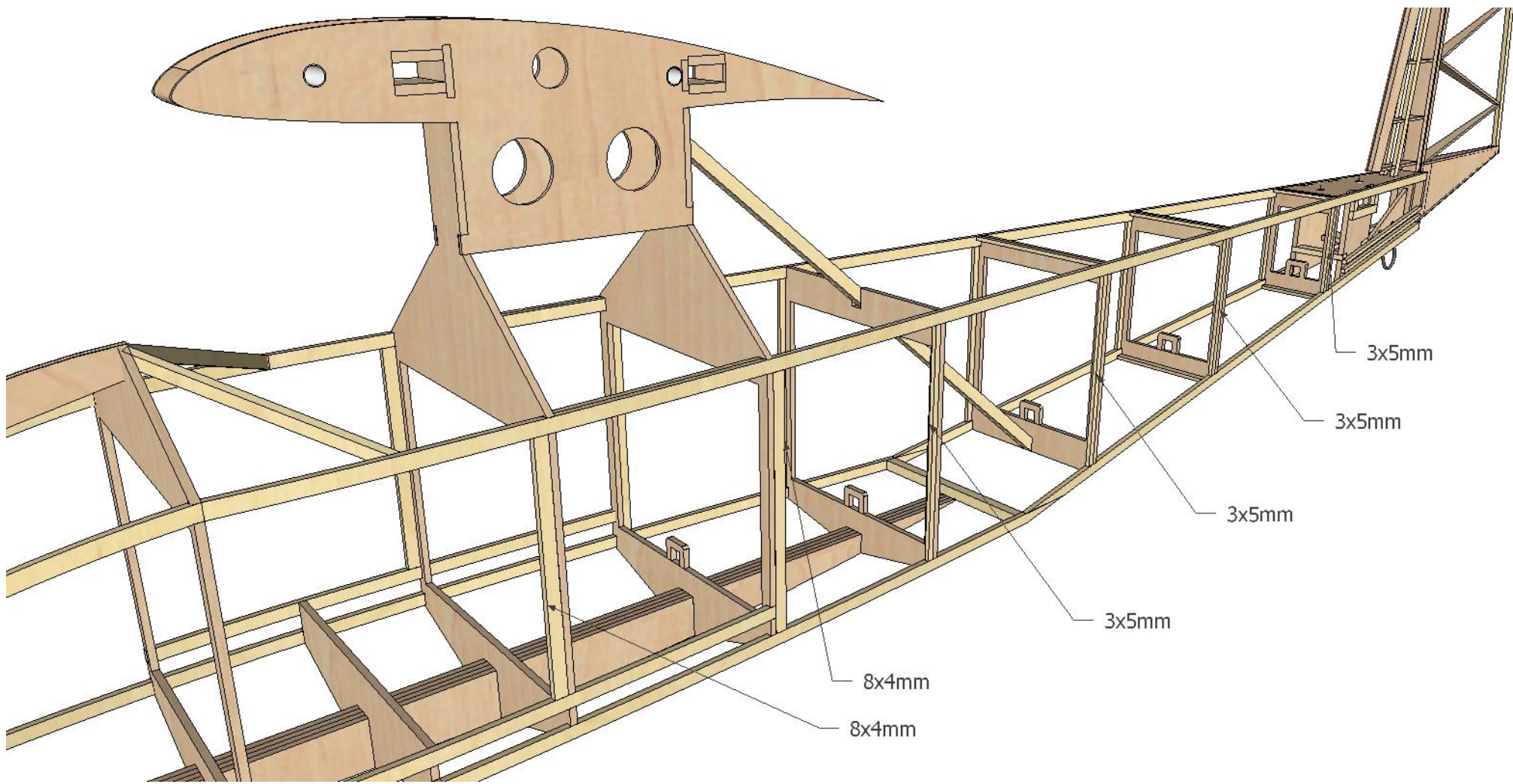
20x10mm

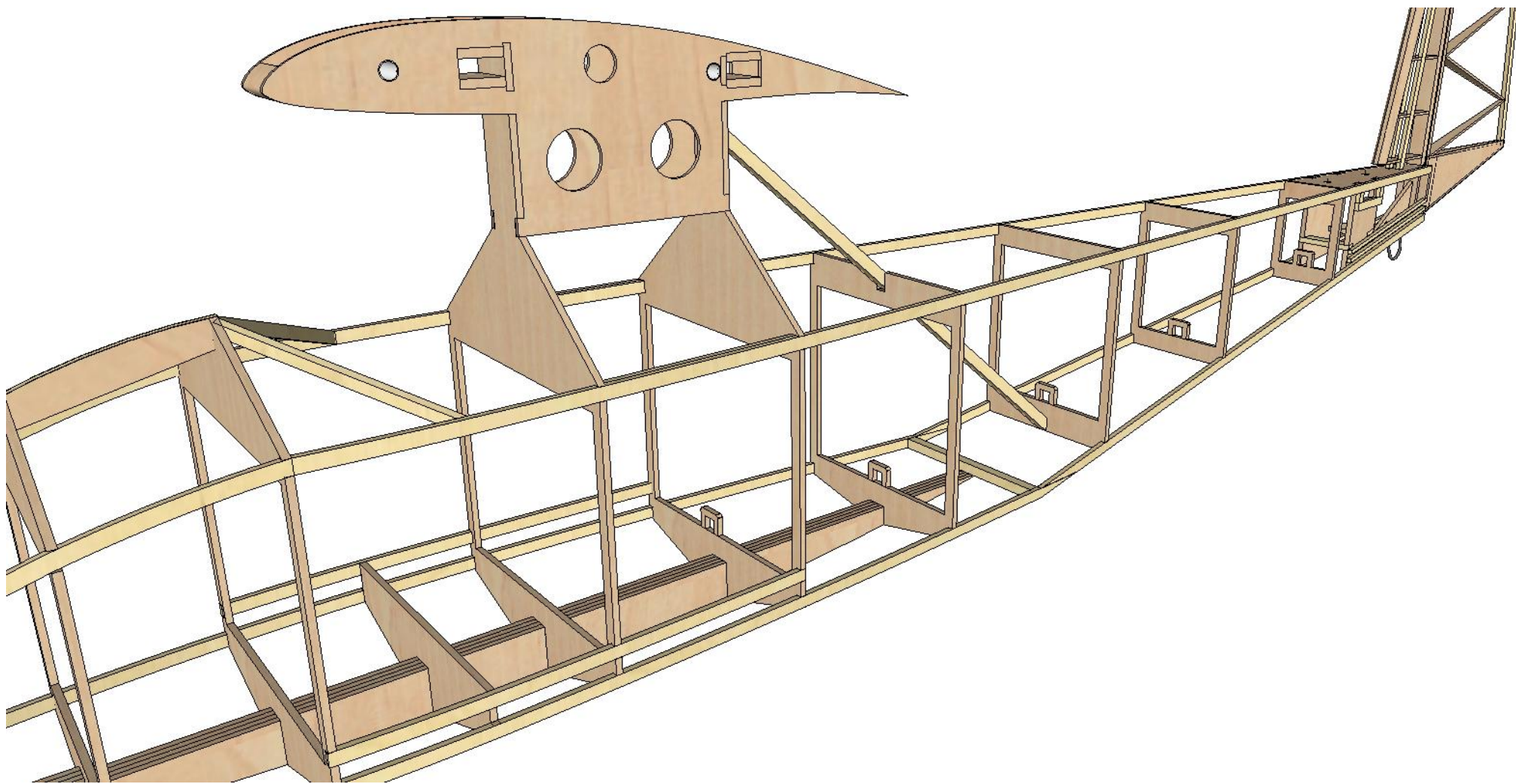
20x10mm

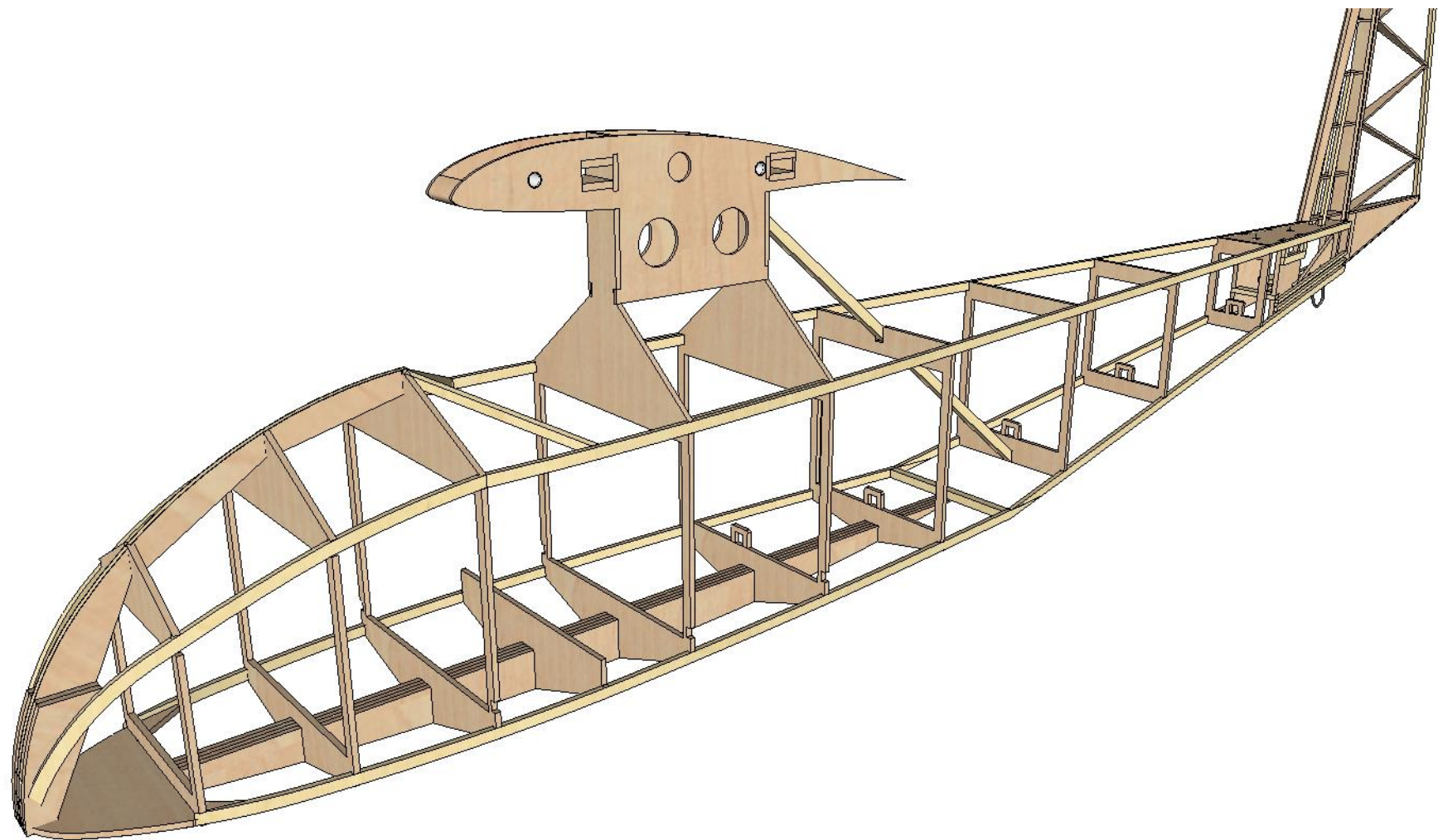


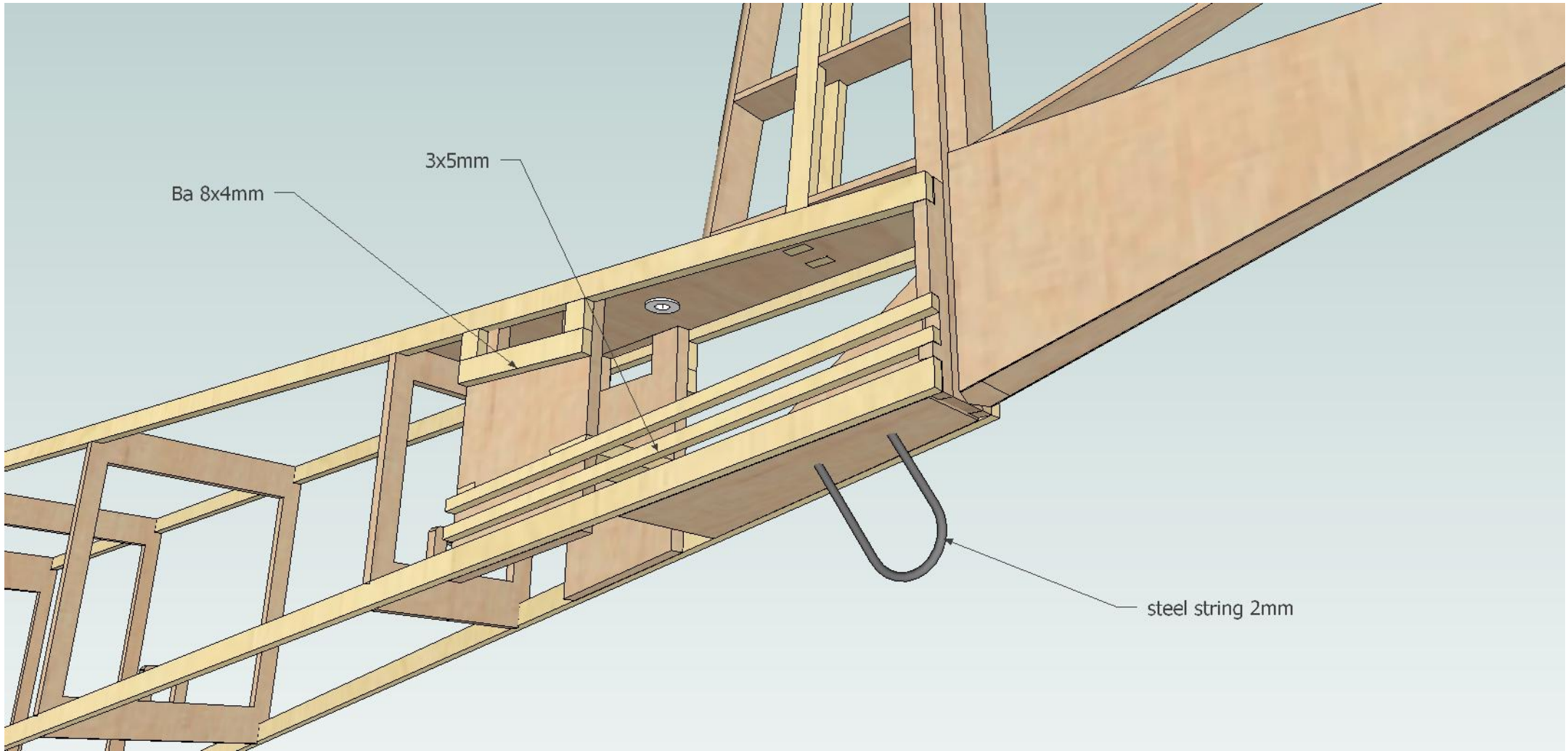
spar 4x4 mm
or spar 3x5 mm











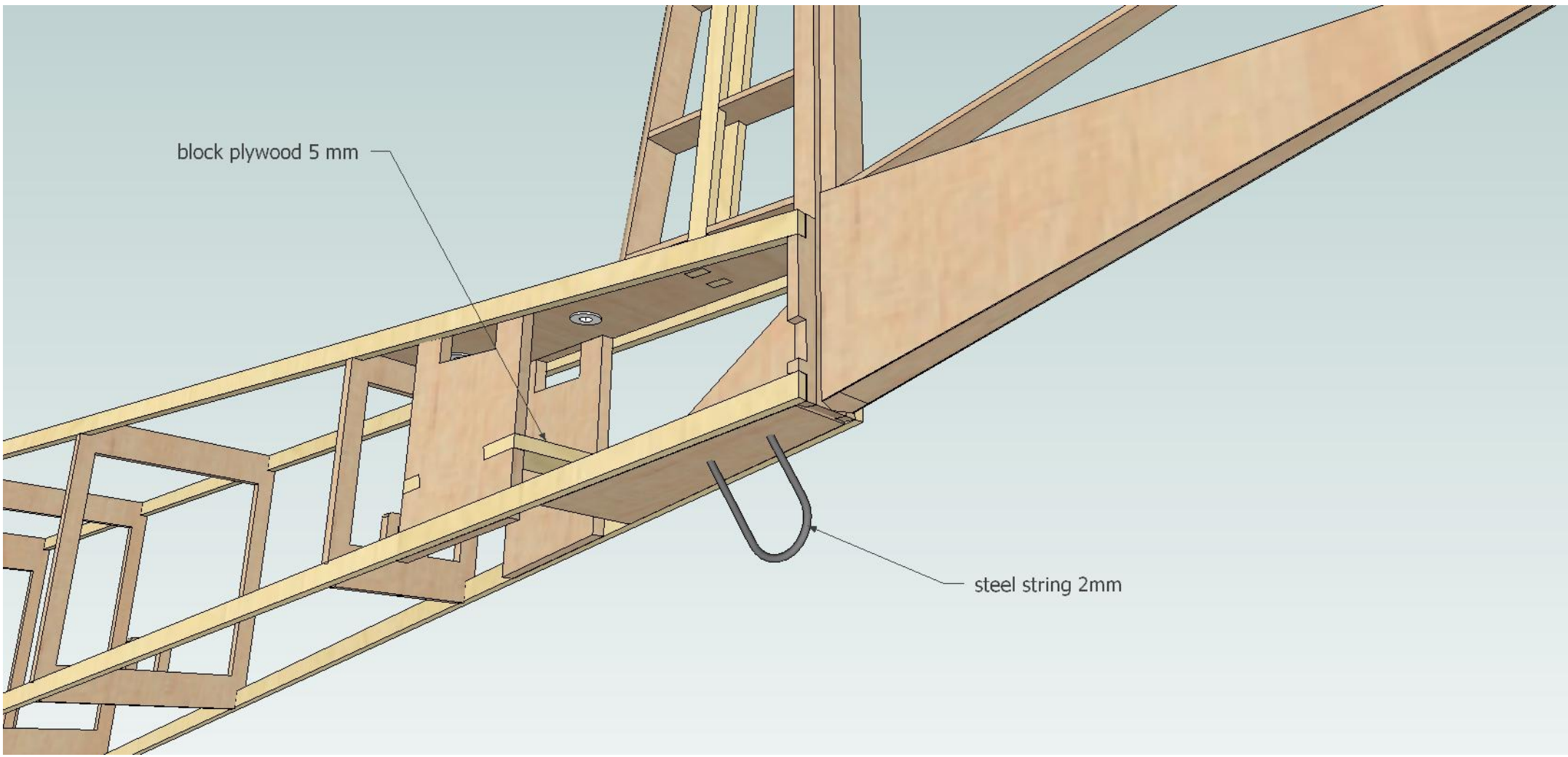
Ba 8x4mm

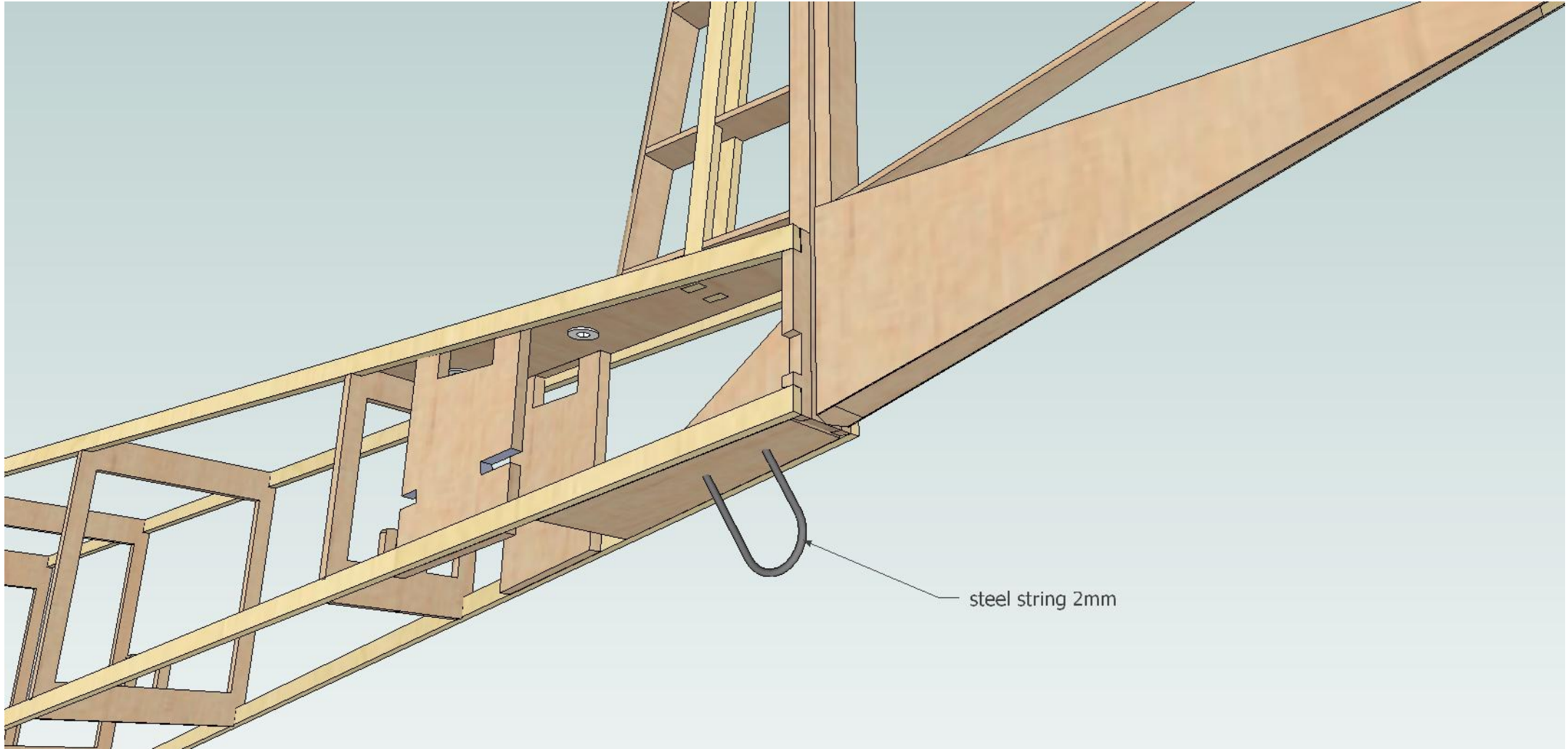
3x5mm

steel string 2mm

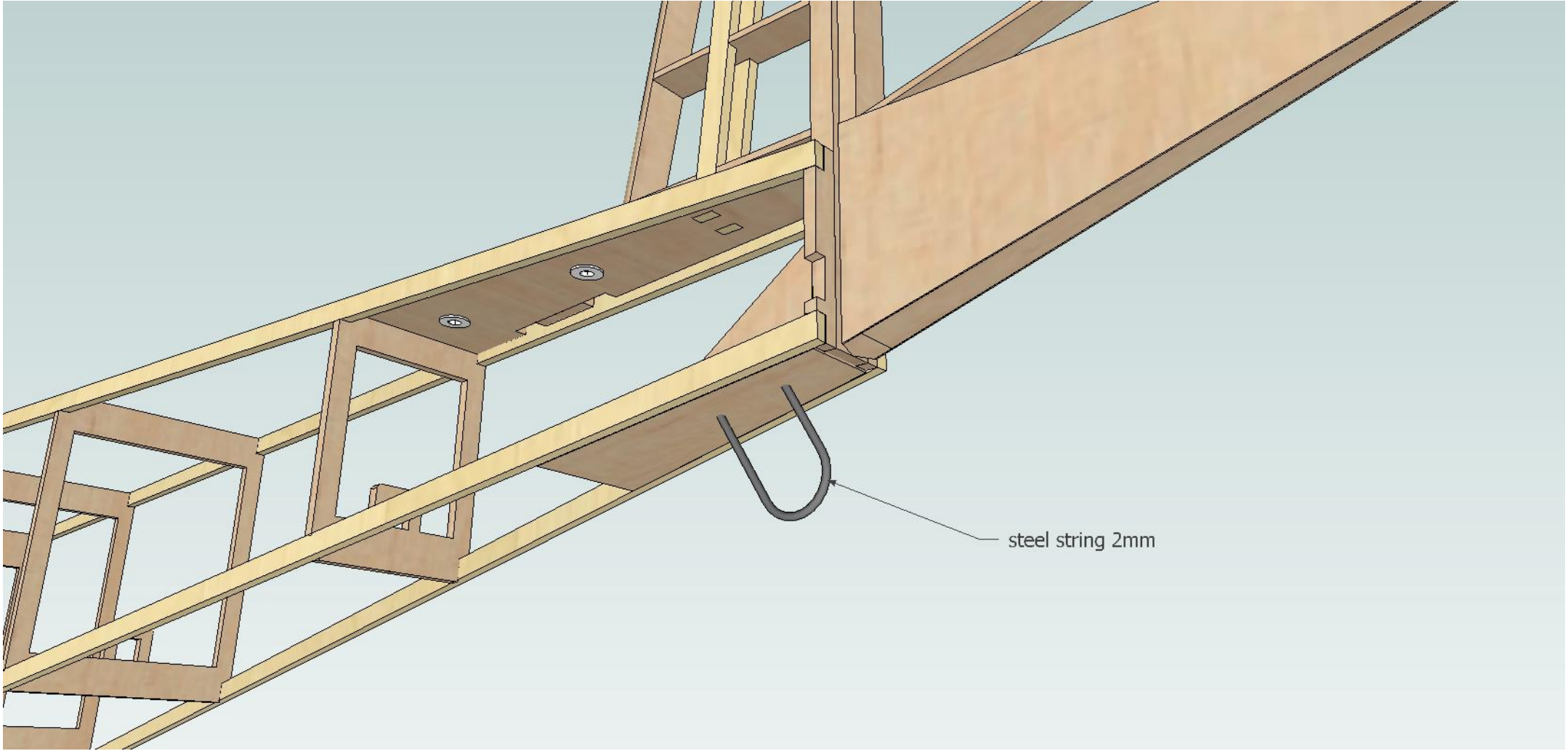
block plywood 5 mm

steel string 2mm

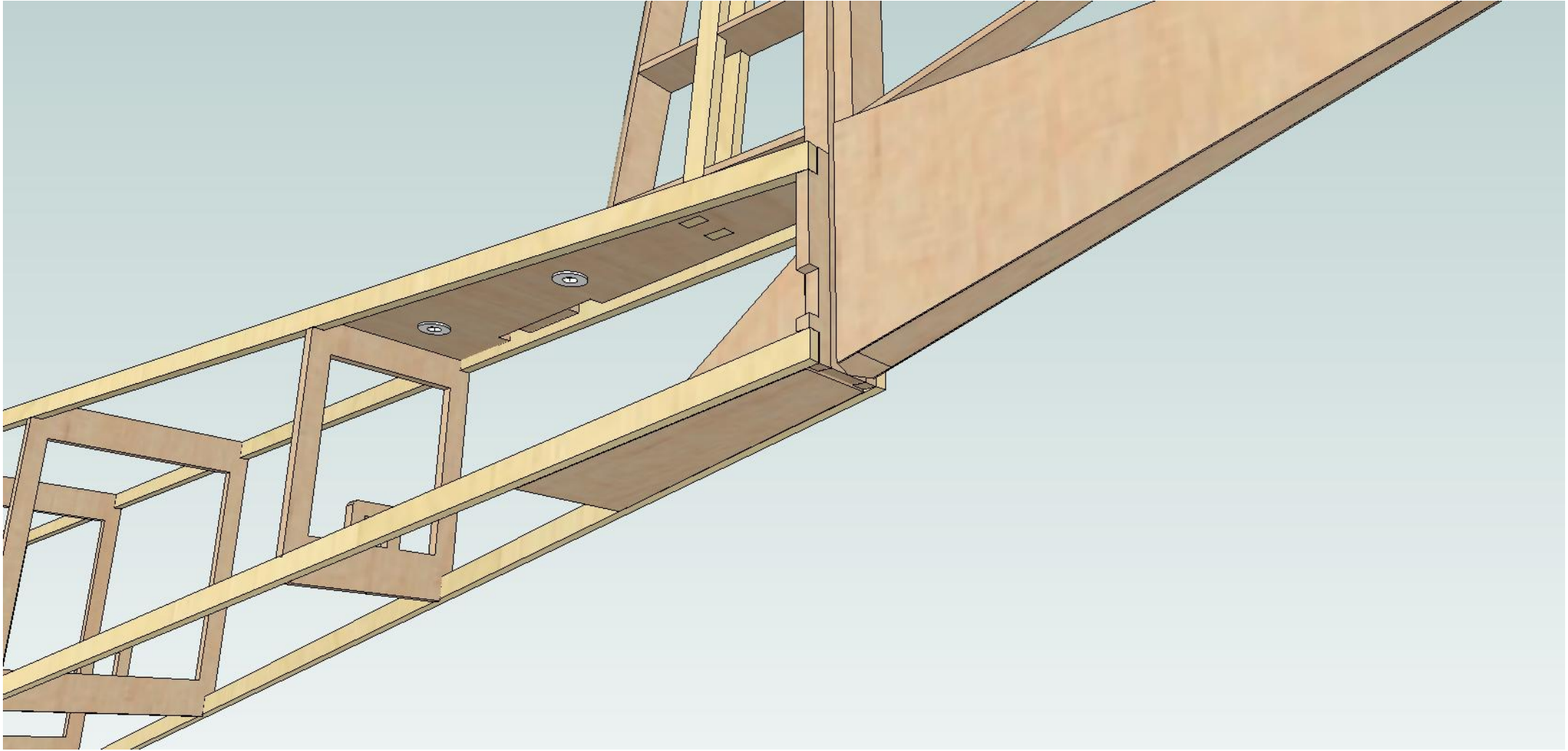


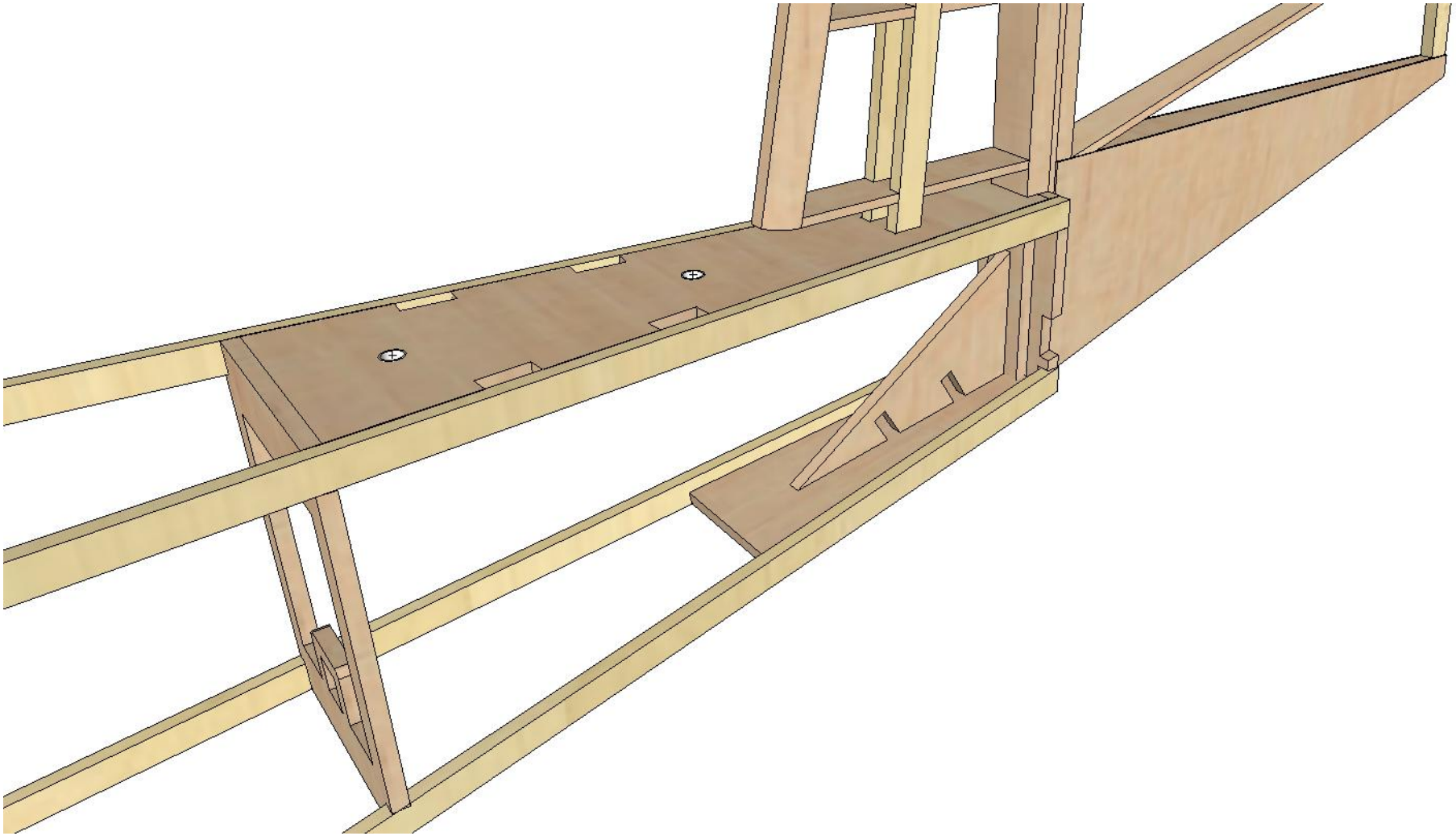


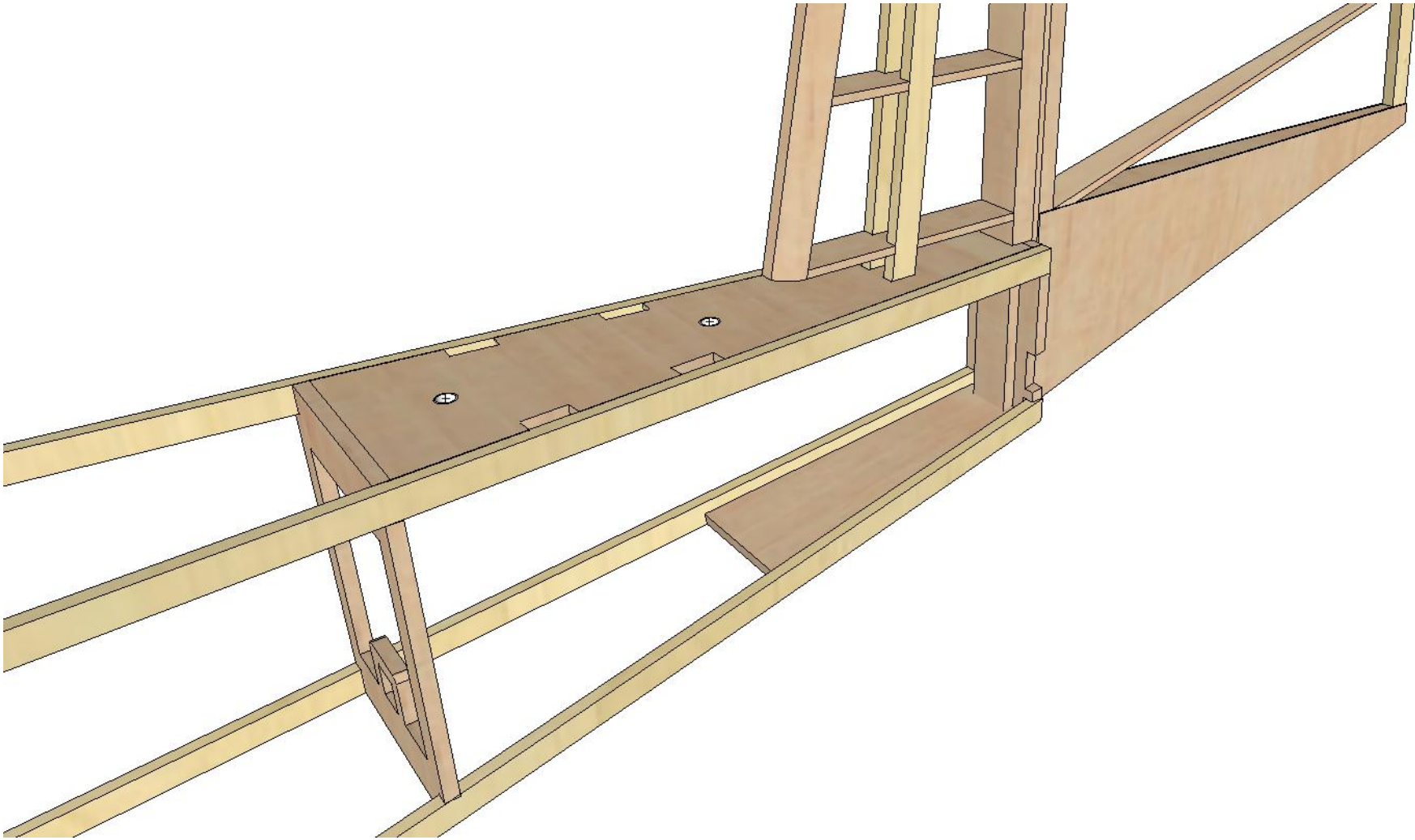
steel string 2mm

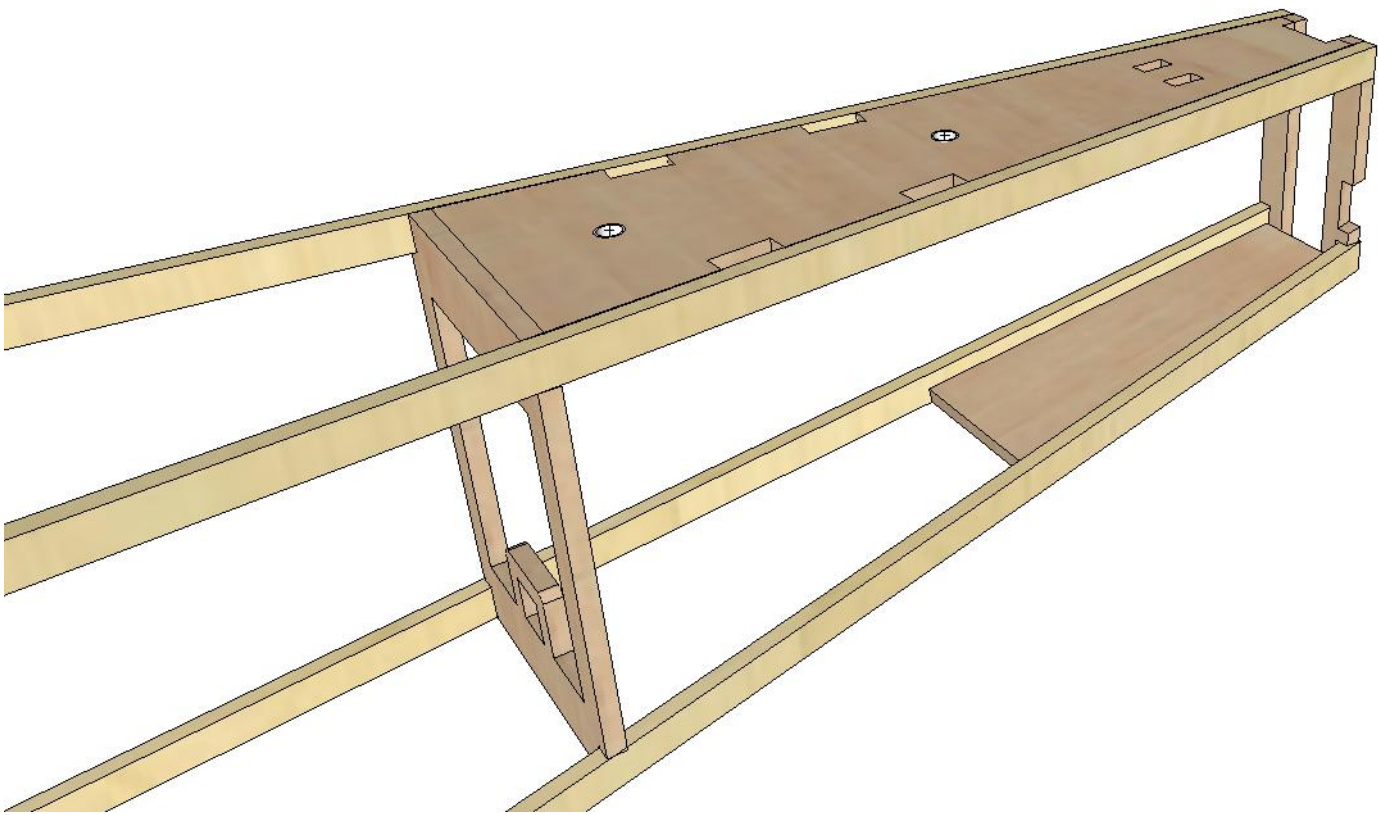


steel string 2mm

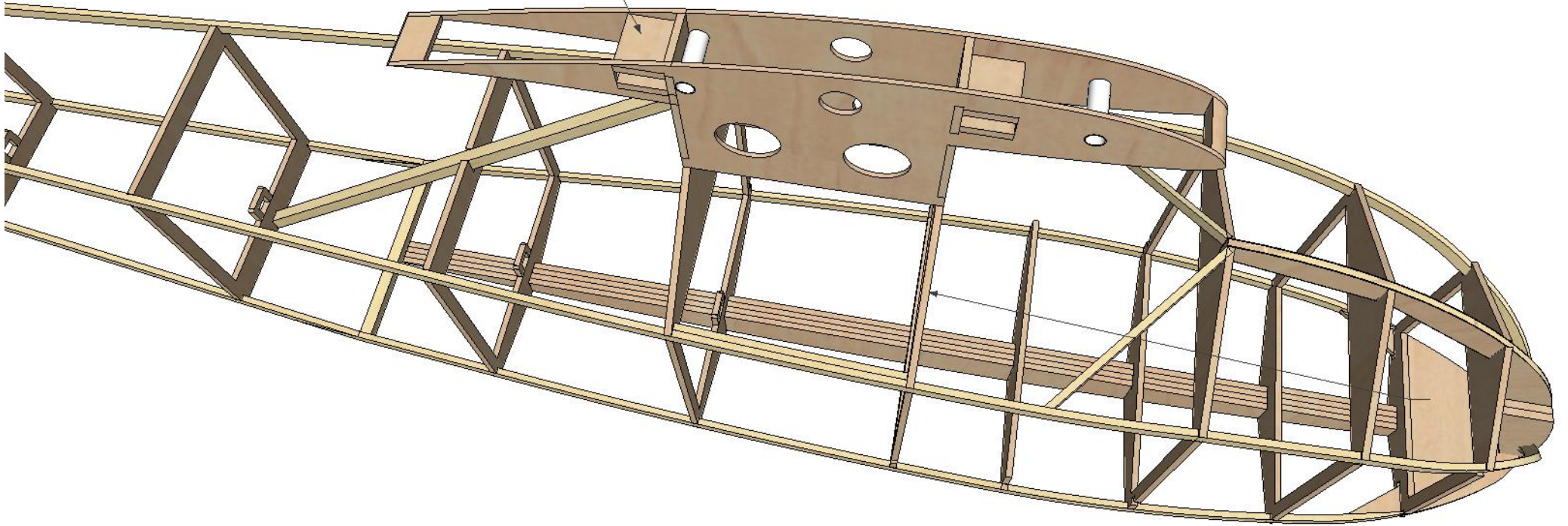


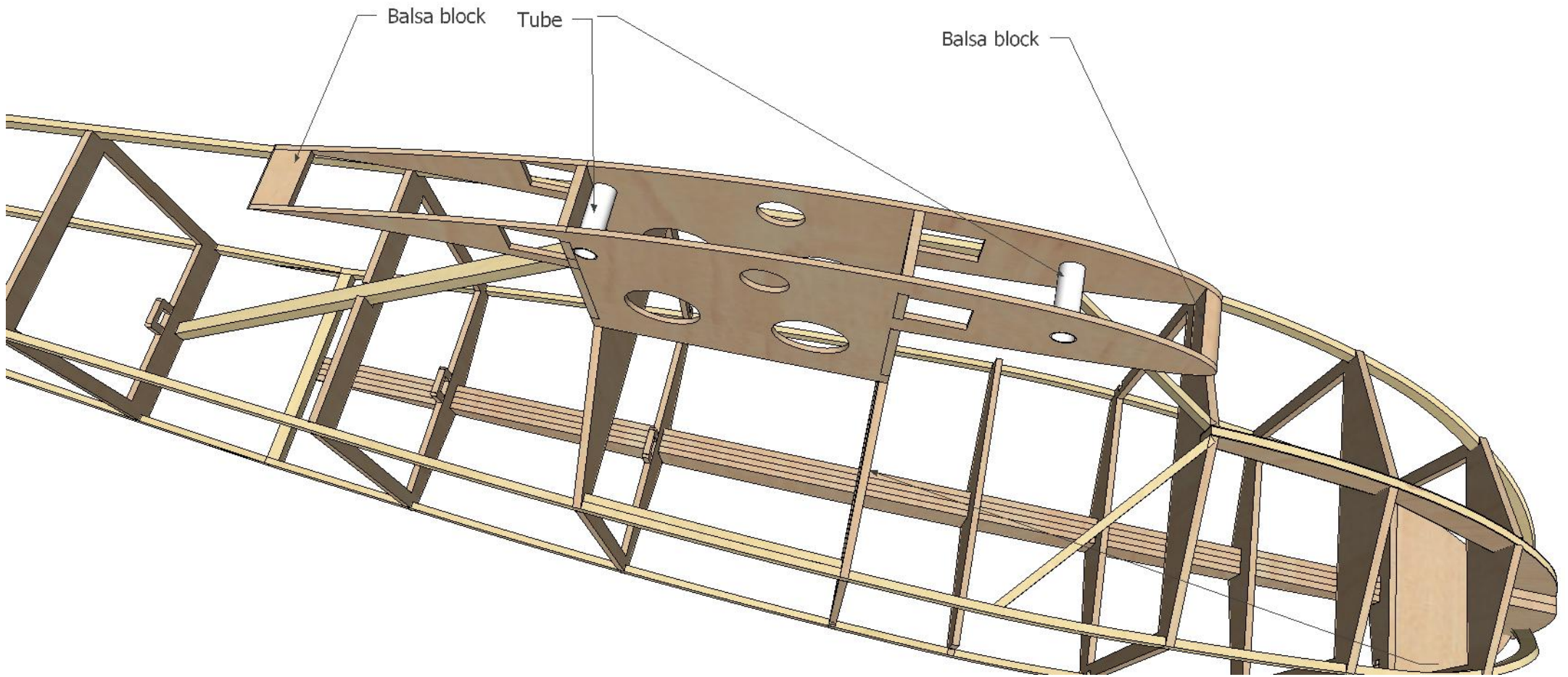


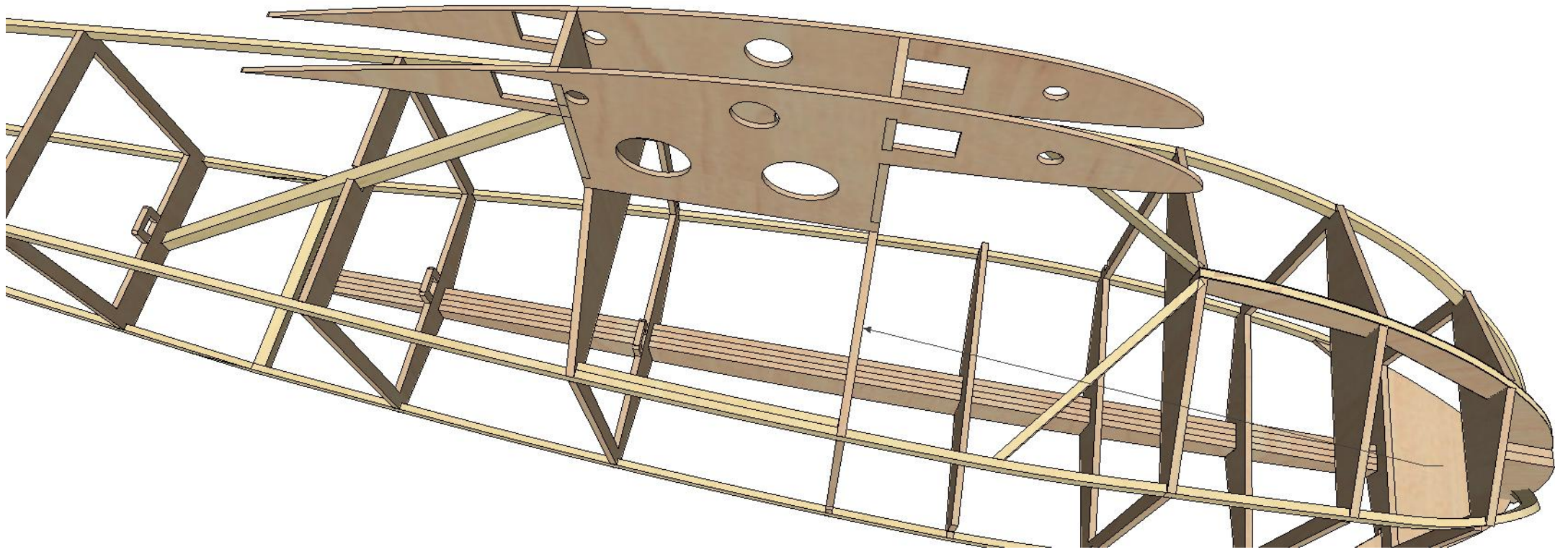




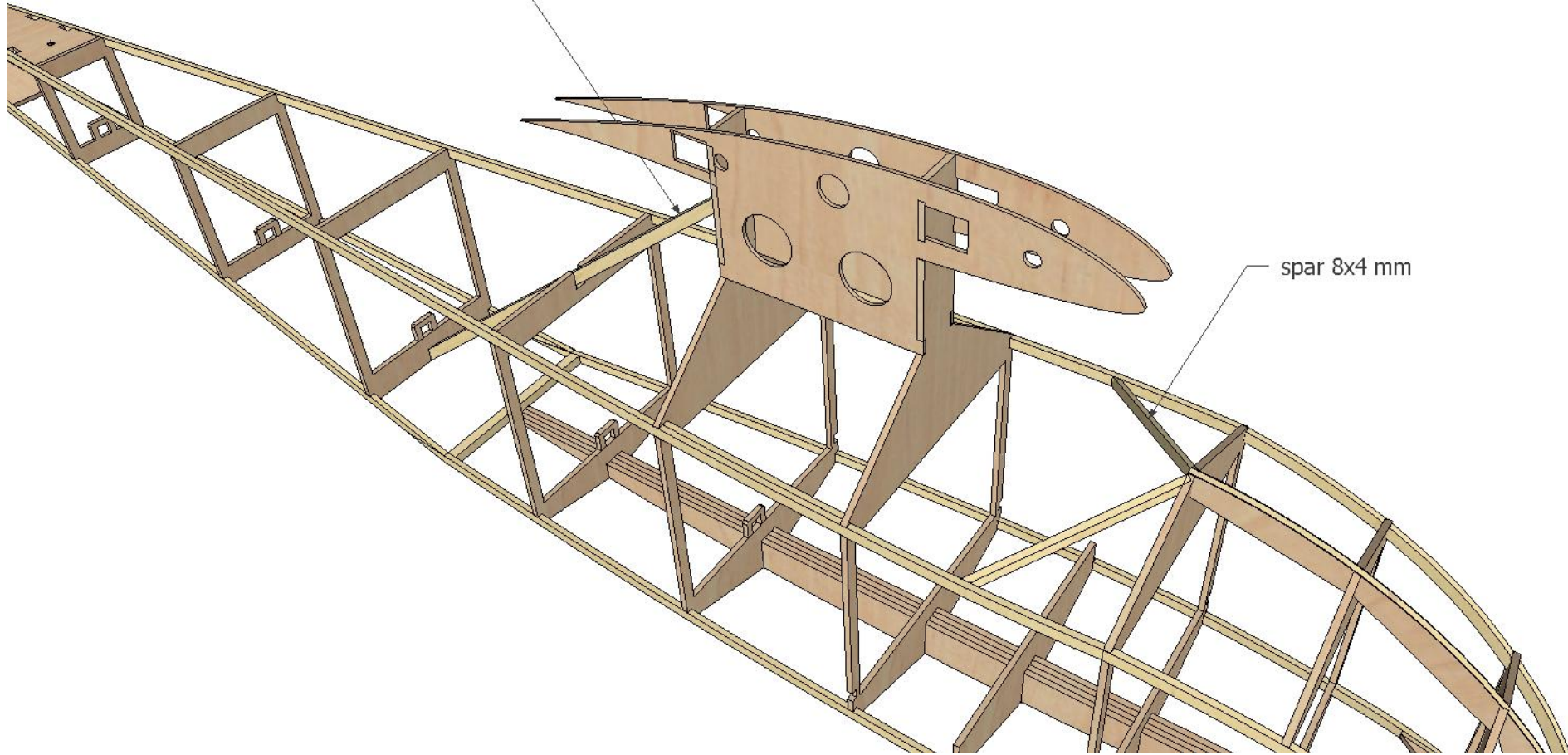
Plywood 5 mm



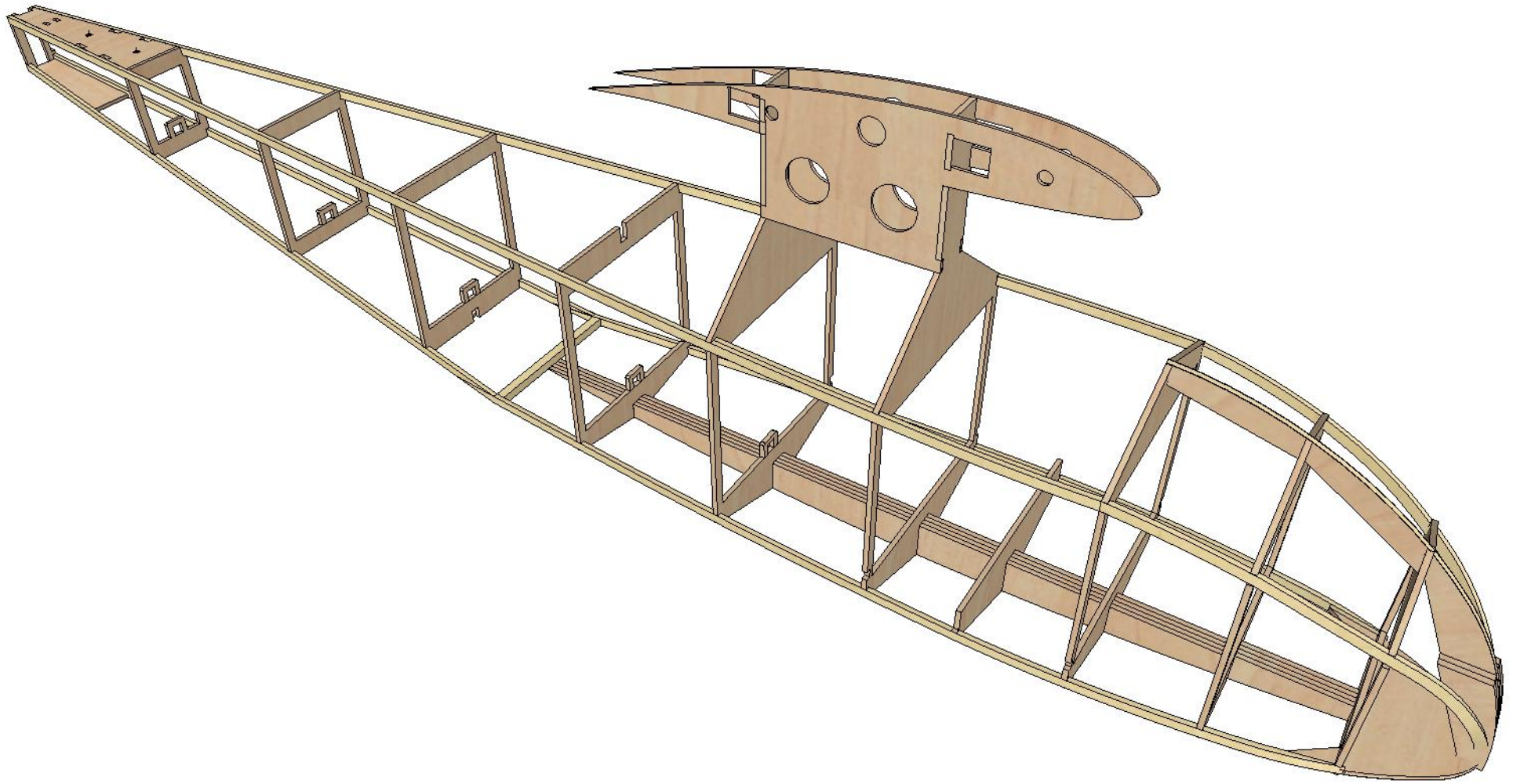


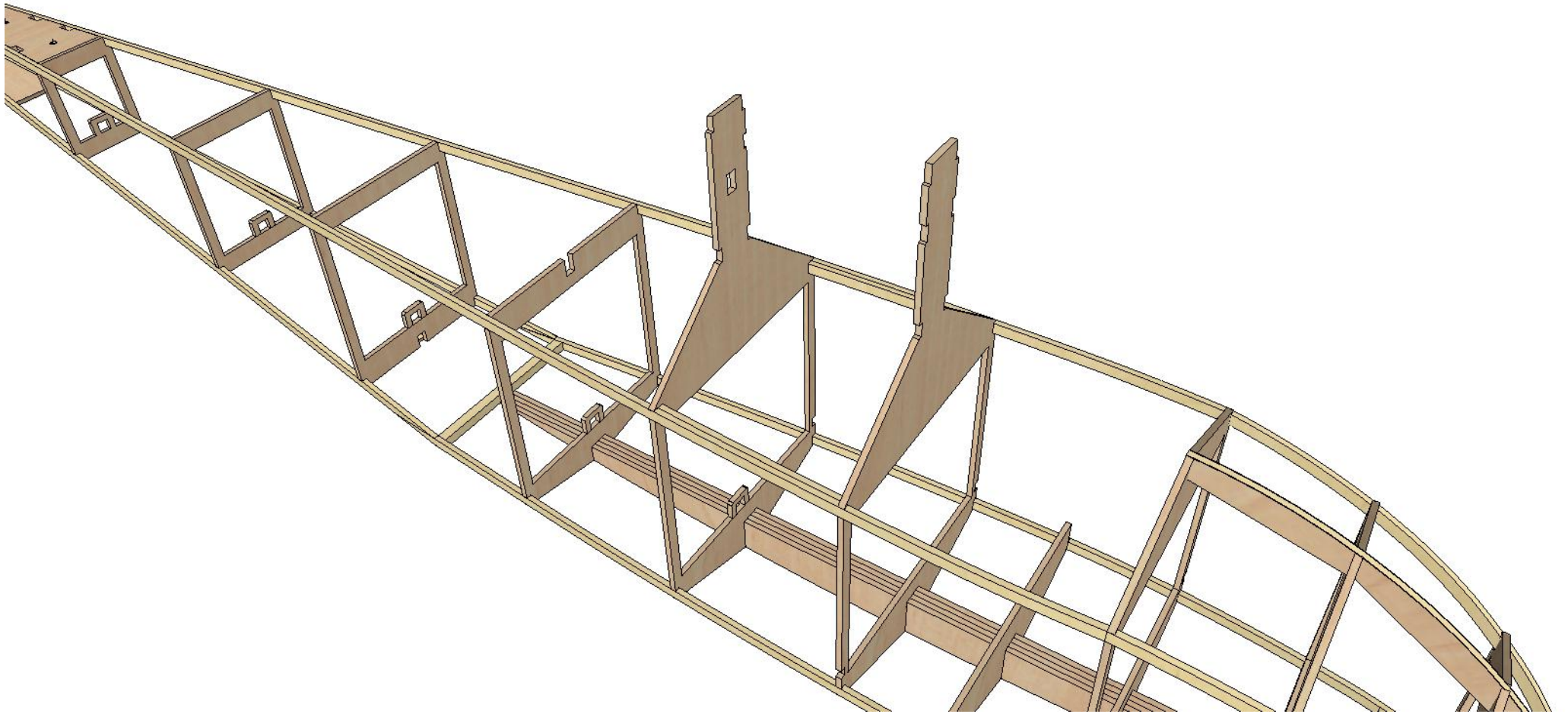


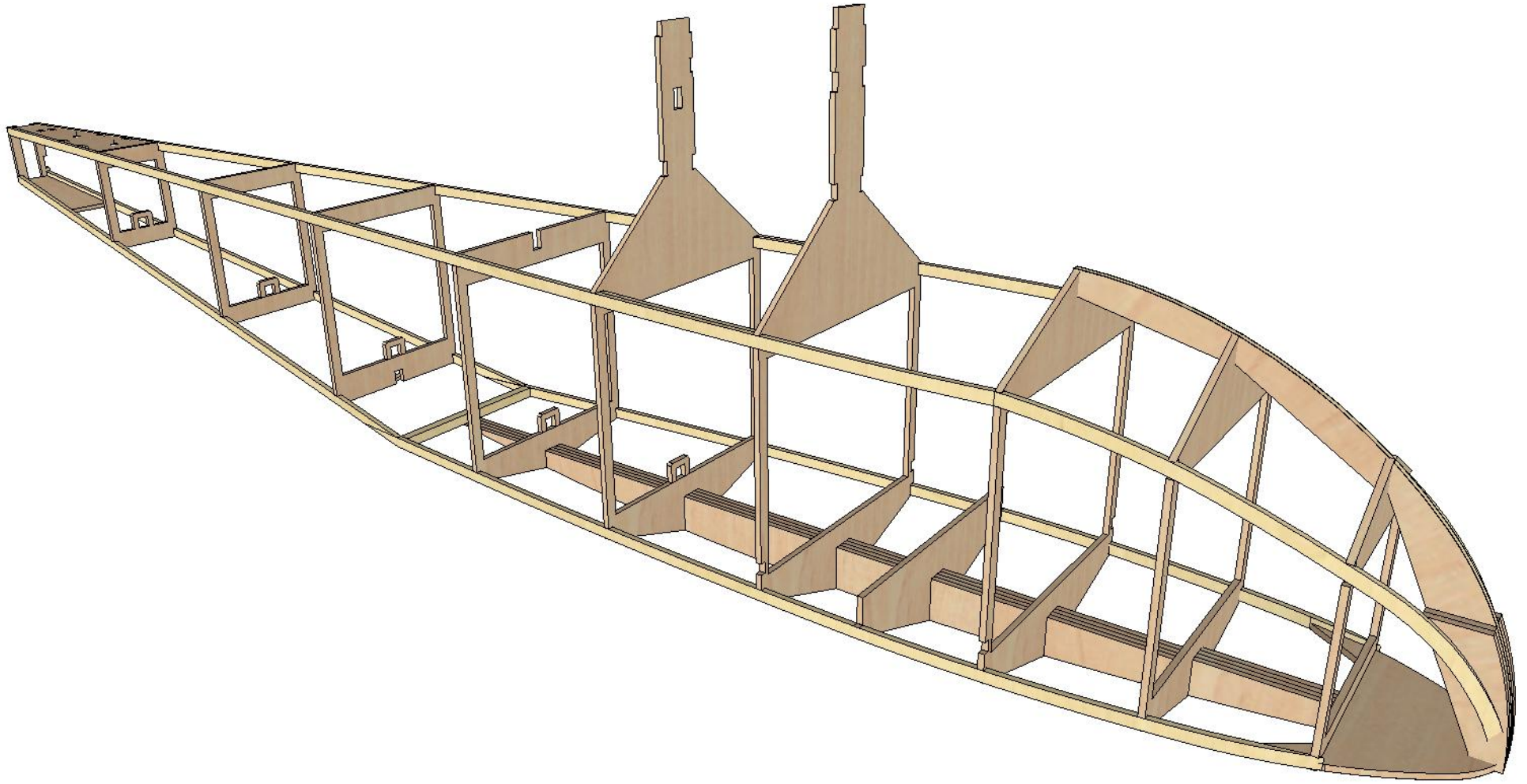
spar 2x 8x4mm

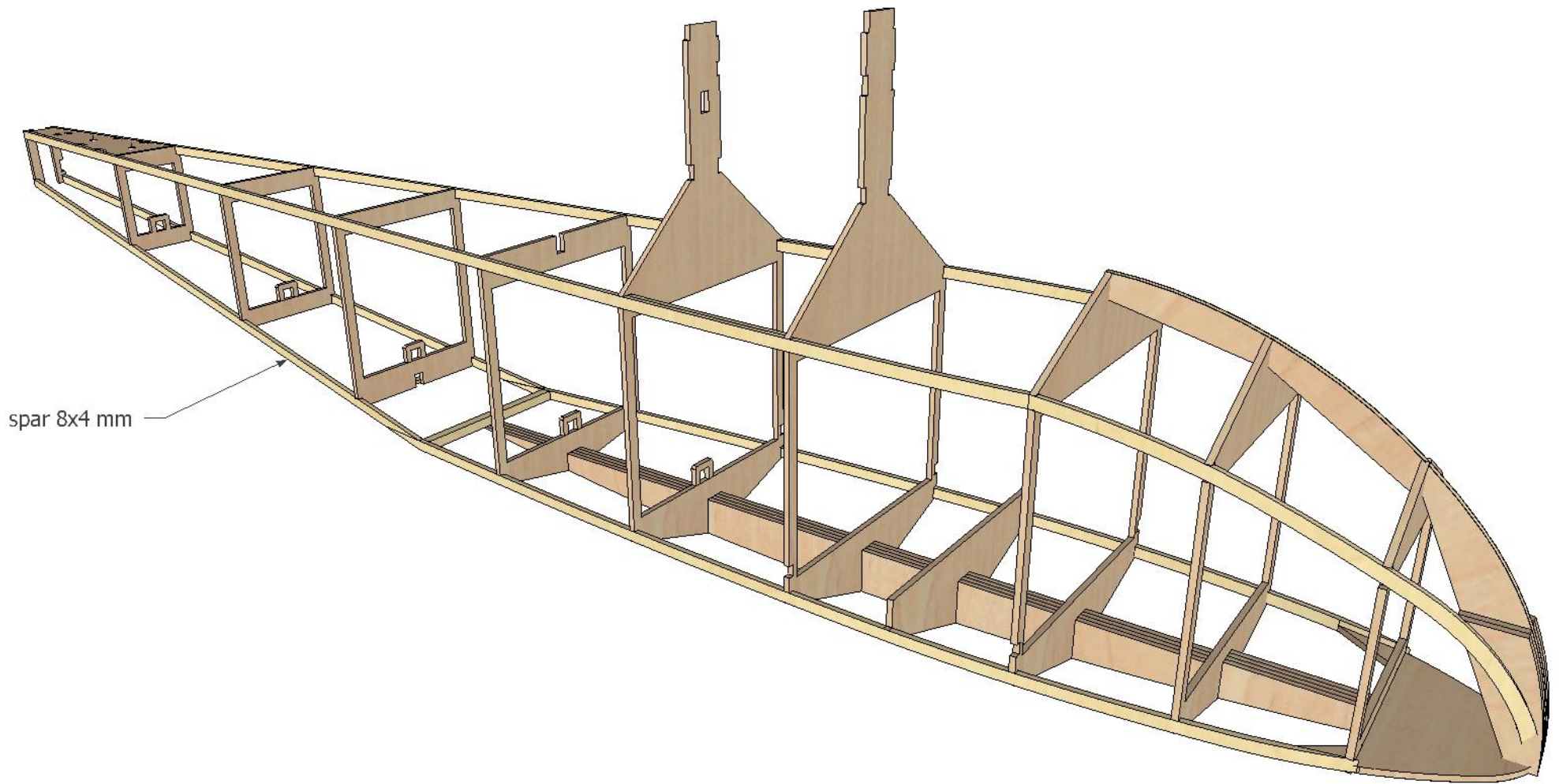


spar 8x4 mm

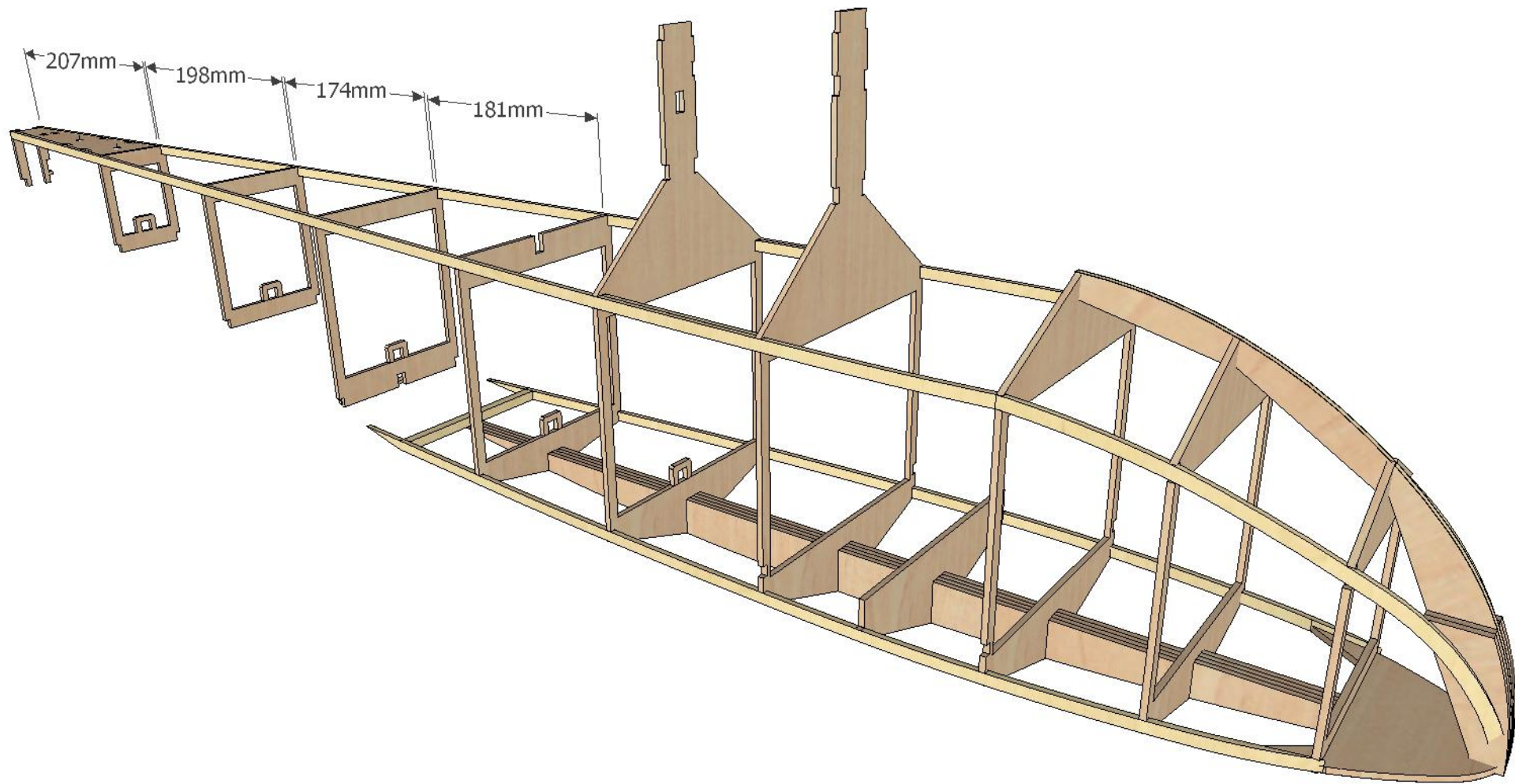


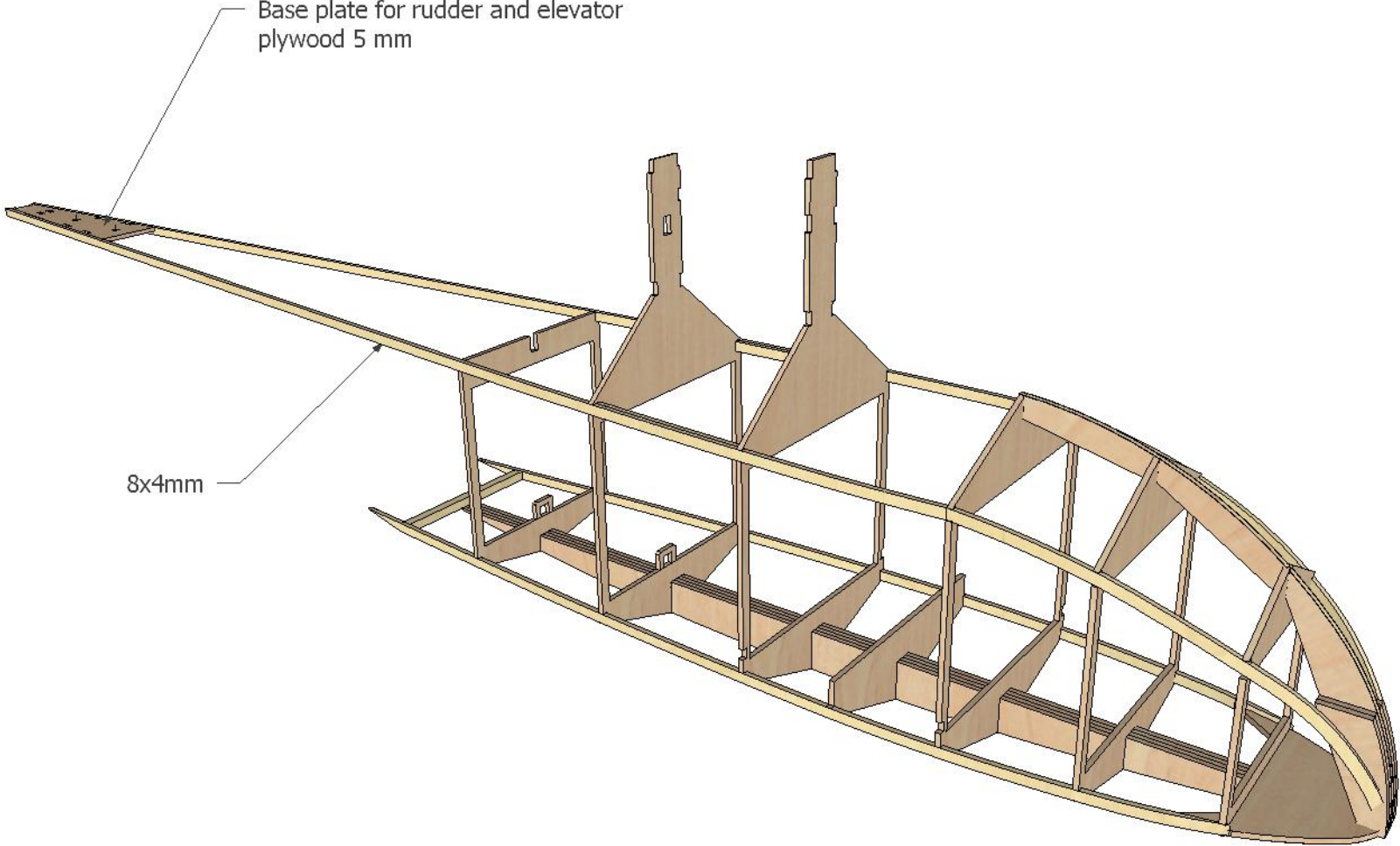






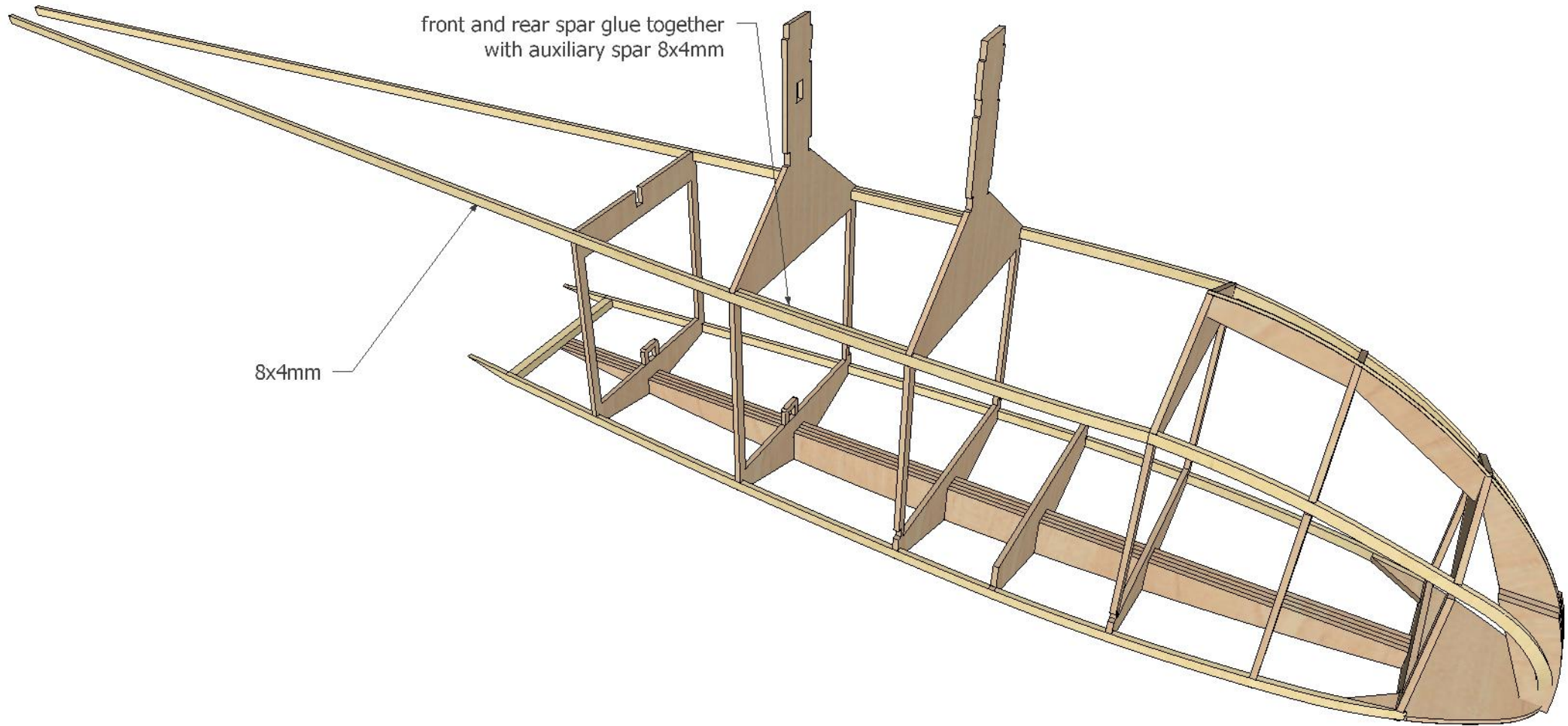
spar 8x4 mm





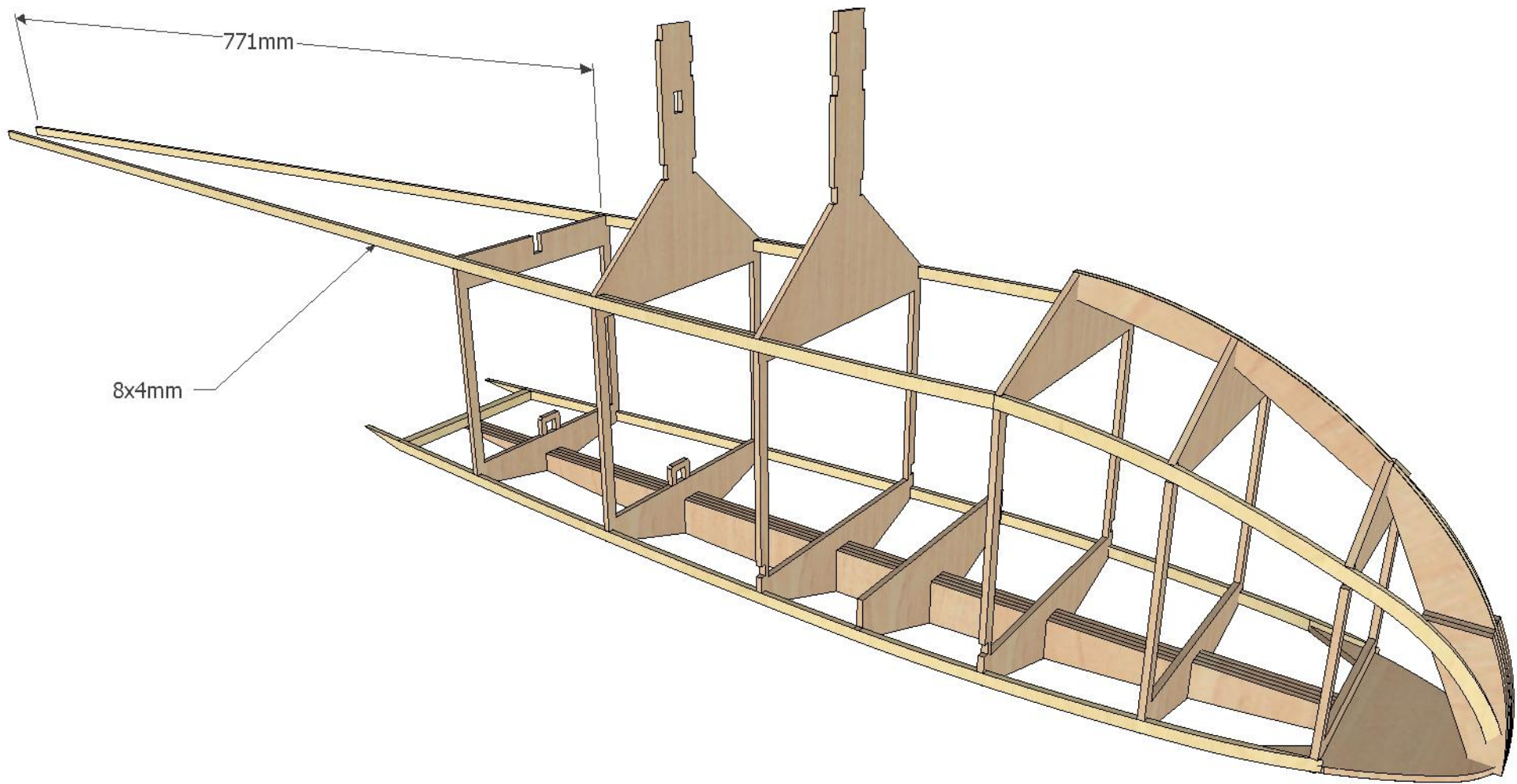
Base plate for rudder and elevator
plywood 5 mm

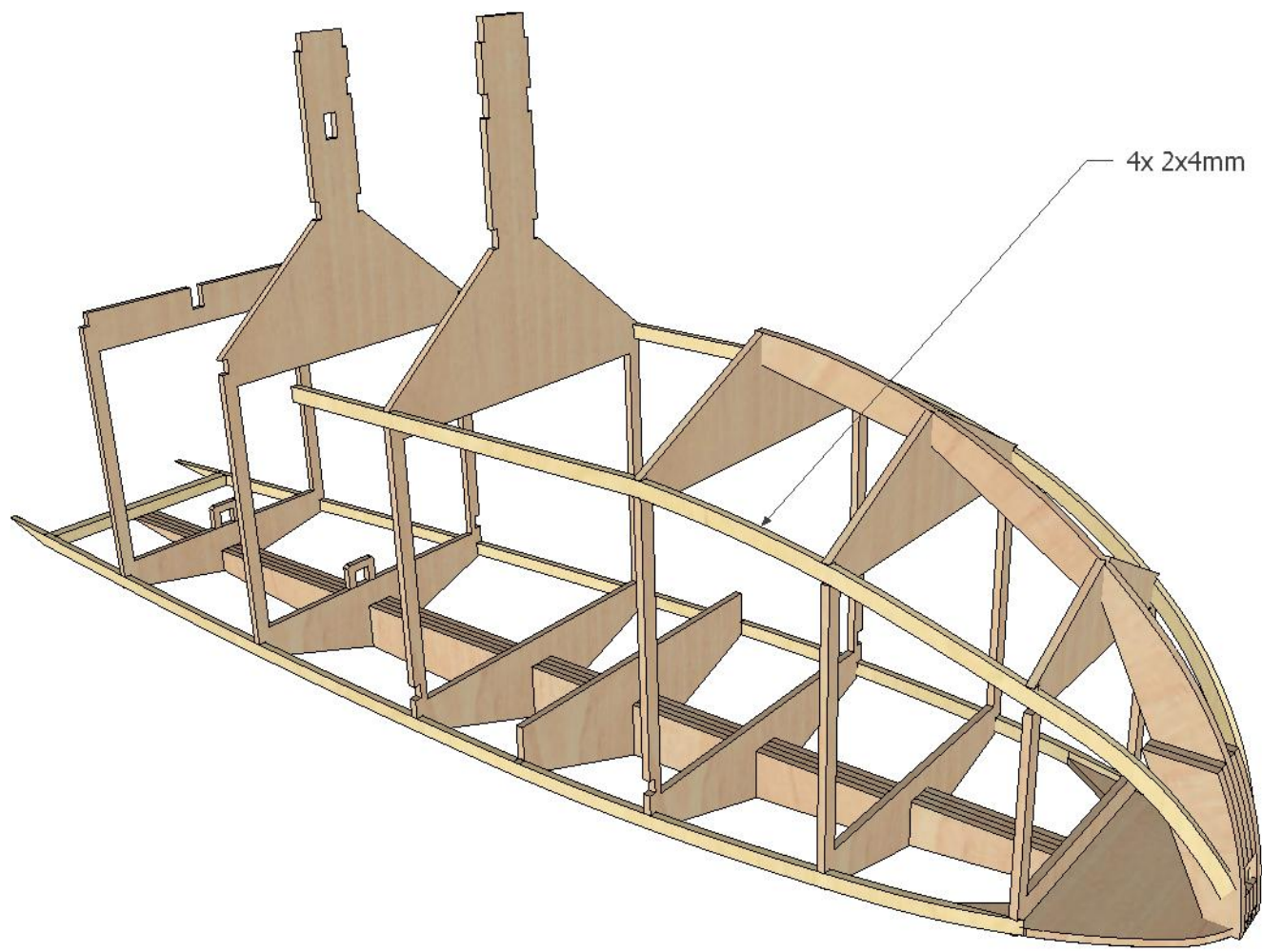
8x4mm



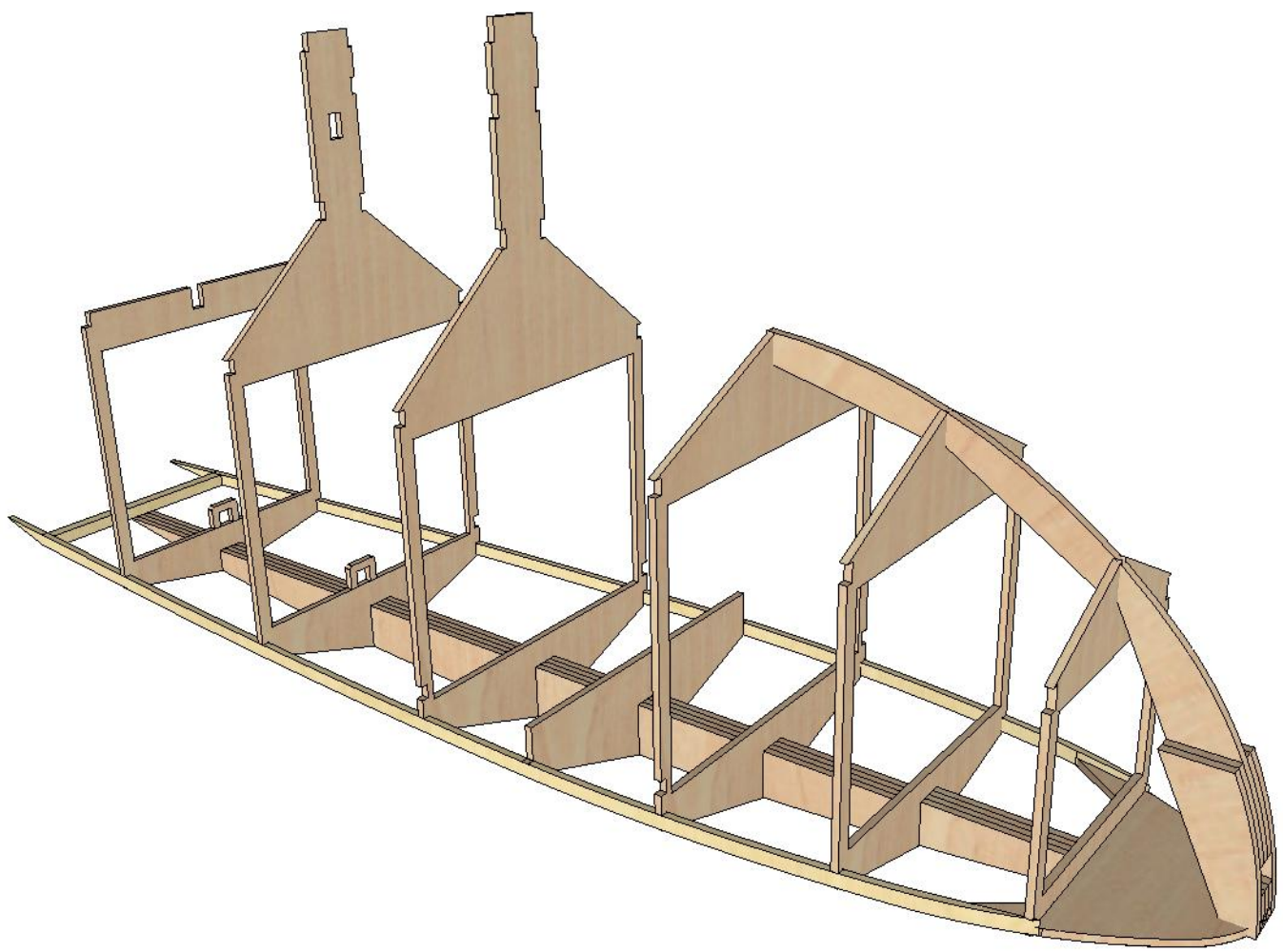
front and rear spar glue together
with auxiliary spar 8x4mm

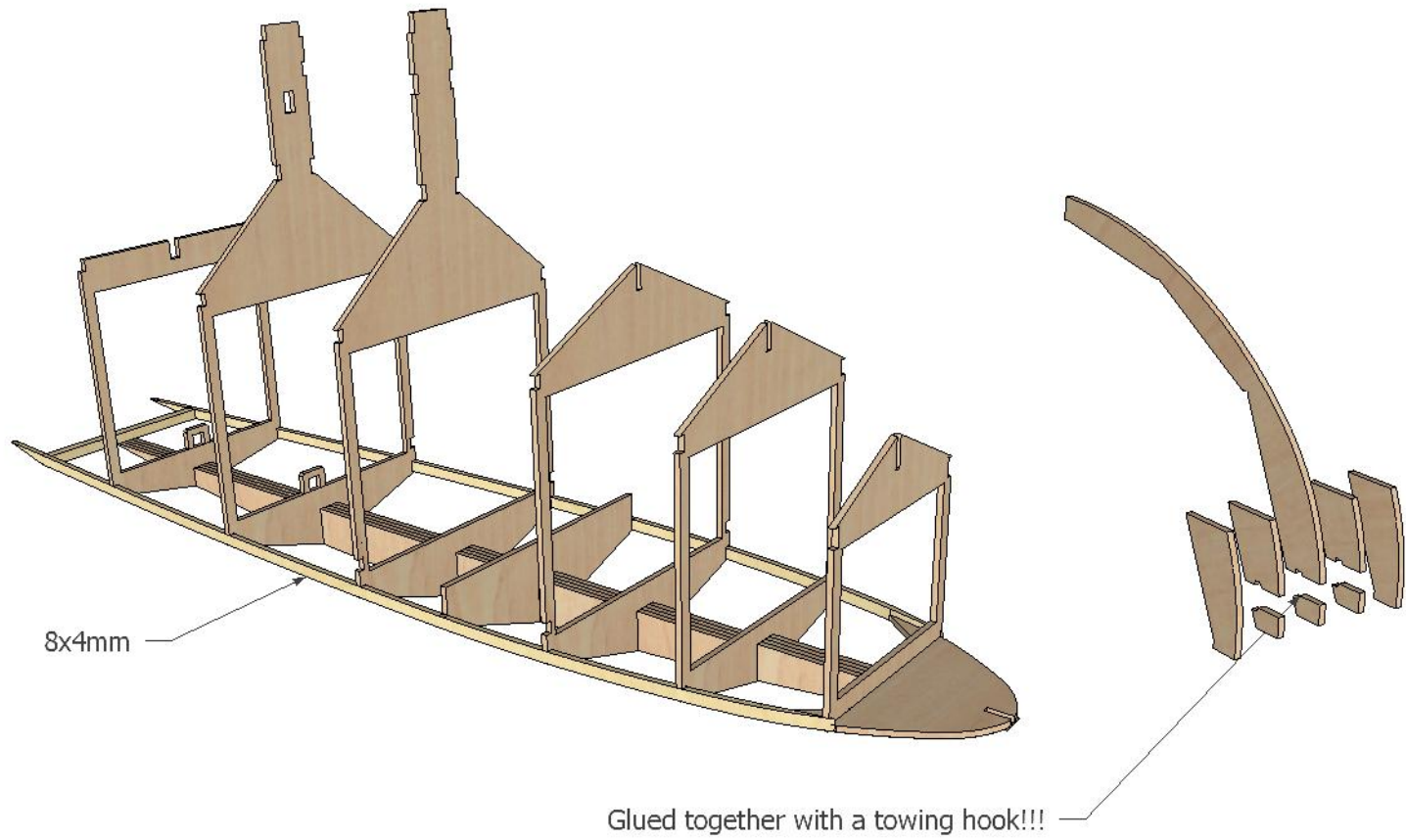
8x4mm





4x 2x4mm





8x4mm

Glued together with a towing hook!!!





